

The ICOM logo consists of a stylized lowercase 'i' with a circle above it, followed by the uppercase letters 'COM'.

SERVICE MANUAL

DUAL BAND FM TRANSCEIVER

IC-2820H

S-14325XZ-C1
Mar. 2007

Icom Inc.

INTRODUCTION

This service manual describes the latest service information for the **IC-2820H** DUAL BAND FM TRANSCEIVER at the time of publication.

MODEL	VERSION
IC-2820H	USA-01
	AUS-01
	KOR-01
	TPE-01
	EXP-01

To upgrade quality, any electrical or mechanical parts and internal circuits are subject to change without notice or obligation.

CAUTION

NEVER connect the transceiver to an AC outlet or to a DC power supply that uses more than 15 V. This will ruin the transceiver.

DO NOT expose the transceiver to rain, snow or any liquids.

DO NOT reverse the polarities of the power supply when connecting the transceiver.

DO NOT apply an RF signal of more than 20 dBm (100 mW) to the antenna connector (J1). This could damage the transceiver's front end.



ORDERING PARTS

Be sure to include the following four points when ordering replacement parts:

1. 10-digit order numbers
2. Component part number and name
3. Equipment model name and unit name
4. Quantity required

<SAMPLE ORDER>

1110003491 S.IC TA31136FNG IC-2820H MAIN UNIT 5 pieces
8820001210 Screw 2438 screw IC-2820H Top cover 10 pieces
Addresses are provided on the inside back cover for your convenience.

REPAIR NOTES

1. Make sure a problem is internal before disassembling the transceiver.
2. **DO NOT** open the transceiver until the transceiver is disconnected from its power source.
3. **DO NOT** force any of the variable components. Turn them slowly and smoothly.
4. **DO NOT** short any circuits or electronic parts. An insulated tuning tool **MUST** be used for all adjustments.
5. **DO NOT** keep power ON for a long time when the transceiver is defective.
6. **DO NOT** transmit power into a signal generator or a sweep generator.
7. **ALWAYS** connect a 50 dB to 60 dB attenuator between the transceiver and a Modulation Analyzer or spectrum analyzer when using such test equipment.
8. **READ** the instructions of test equipment thoroughly before connecting equipment to the transceiver.

CONTENTS

SECTION 1 SPECIFICATIONS

SECTION 2 INSIDE VIEWS

SECTION 3 DISASSEMBLY INSTRUCTIONS

SECTION 4 CIRCUIT DESCRIPITON

4-1	RECEIVER CIRCUITS.....	4-1
4-2	TRANSMITTER CIRCUITS	4-4
4-3	FREQUENCY SYNTHESIZER	4-6
4-4	POWER SUPPLY CIRCUITS.....	4-8
4-5	PORT ALLOCATIONS	4-9

SECTION 5 ADJUSTMENT PROCEDURES

5-1	PREPARATION	5-1
5-2	FREQUENCY ADJUSTMENT	5-2
5-3	TRANSMIT ADJUSTMENT	5-3
5-4	RECEIVE ADJUSTMENT	5-4

SECTION 6 PARTS LIST

SECTION 7 MECHANICAL PARTS

SECTION 8 BOARD LAYOUTS

SECTION 9 BLOCK DIAGRAM

SECTION 10 VOLTAGE DIAGRAM

SECTION 11 HM-133

SECTION 12 UT-123 (Optional product)

GENERAL

- Frequency coverage : (unit: MHz)

Version	Left Band	Right Band
USA, General	Rx: 118–549.995* ¹ Tx: 144–148, 430–450* ²	Rx: 118–173.995* ¹ , 375–549.995,* ³ 810–999.99* ⁴ Tx: 144–148, 430–450* ²
Australia	Tx/Rx: 144–148, 430–440	
Taiwan	Tx/Rx: 144–146, 430–432	
Korea	Tx/Rx: 144–146, 430–440	

*¹Guaranteed: 144–148 MHz range only.; *²Guaranteed: 440–450 MHz range for the USA, 430–440 MHz for the General version; *³Not guaranteed; **824.010 to 848.990 and 869.010 to 893.990 MHz ranges are inhibited for USA version and not guaranteed.

- Type of emission : FM, AM (Receive only),
DV (optional UT-123 is required)
- Number of memory channels : 522 (incl. 20 scan edges and 2 calls)
- Frequency resolution : 5, 6.25, 10, 12.5, 15, 20, 25, 30, 50 kHz
- Operating temperature range : –10°C to +60°C; +14°F to +140°F
- Frequency stability : ±2.5 ppm (–10°C to +60°C)
- Power supply requirement : 13.8 V DC ±15%
- Current drain (at 13.8 V DC: approx.):
 - Transmit at 50 W 13 A*
* 10.5 A (at 25 W) only for the Taiwan version
 - Receive standby 1.2 A
(simultaneous receive) max. audio 1.8 A
- Antenna connector : SO-239 (50 Ω)×2 (Tx/Rx and Diversity)
- Dimensions (proj. not included) :
 - Main Unit 150(W) × 40(H) × 187.7(D) mm
5²⁹/₃₂(W) × 1⁹/₁₆(H) × 7¹³/₃₂(D) in
 - Remote controller 150(W) × 58(H) × 31.5(D) mm
5²⁹/₃₂(W) × 2⁹/₃₂(H) × 1¹/₄(D) in
- Weight (approx.) :
 - Main unit 1.5 kg; 3 lb 5 oz
 - Remote controller 210 g; 7.4 oz (incl. separation cable)

TRANSMITTER

- Modulation system : Variable reactance frequency modulation
- Output power : 50/15/5 W* (approx.)
*25/15/5 W only for the Taiwan version.
- Max. frequency deviation : ±5.0 kHz (wide)
±2.5 kHz (narrow)
- Spurious emissions : Less than –60 dB
- Microphone connector : 8-pin modular (600 Ω)

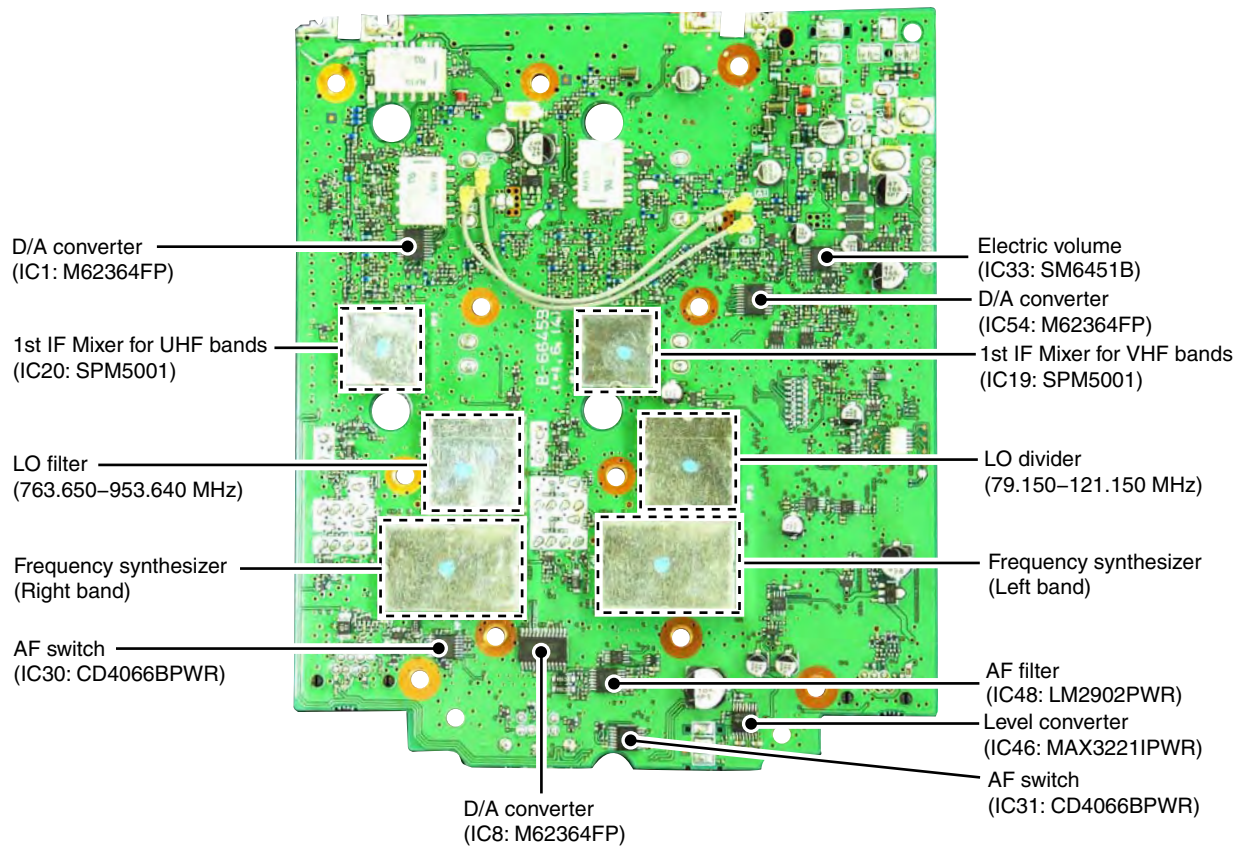
RECEIVER

- Receive system : Double-conversion superheterodyne
- Intermediate frequencies :
 - Left band 1st: 38.85 MHz, 2nd: 450 kHz
 - Right band 1st: 46.35 MHz, 2nd: 450 kHz
- Sensitivity (amateur bands only):
 - FM (12 dB SINAD) Less than 0.18 µV
 - DV (BER 1%) Less than 0.35 µV
(optional UT-123 is required)
- Squelch sensitivity[†] (threshold) : Less than 0.13 µV
- Selectivity[†] (typical) :
 - Wide More than 10 kHz/6 dB
Less than 30 kHz/60 dB
 - Narrow More than 6 kHz/6 dB
Less than 20 kHz/60 dB
 - DV (optional UT-123 is required) More than 50 dB
- Spurious and image rejection[†] : More than 60 dB
*More than 55 dB for UHF on left band.
- AF output power[†] (at 13.8 V DC) : More than 2.4 W at 10% distortion with an
8 Ω load
- Ext. speaker connectors : 3-conductor 3.5 (d) mm (1/8")/8 Ω

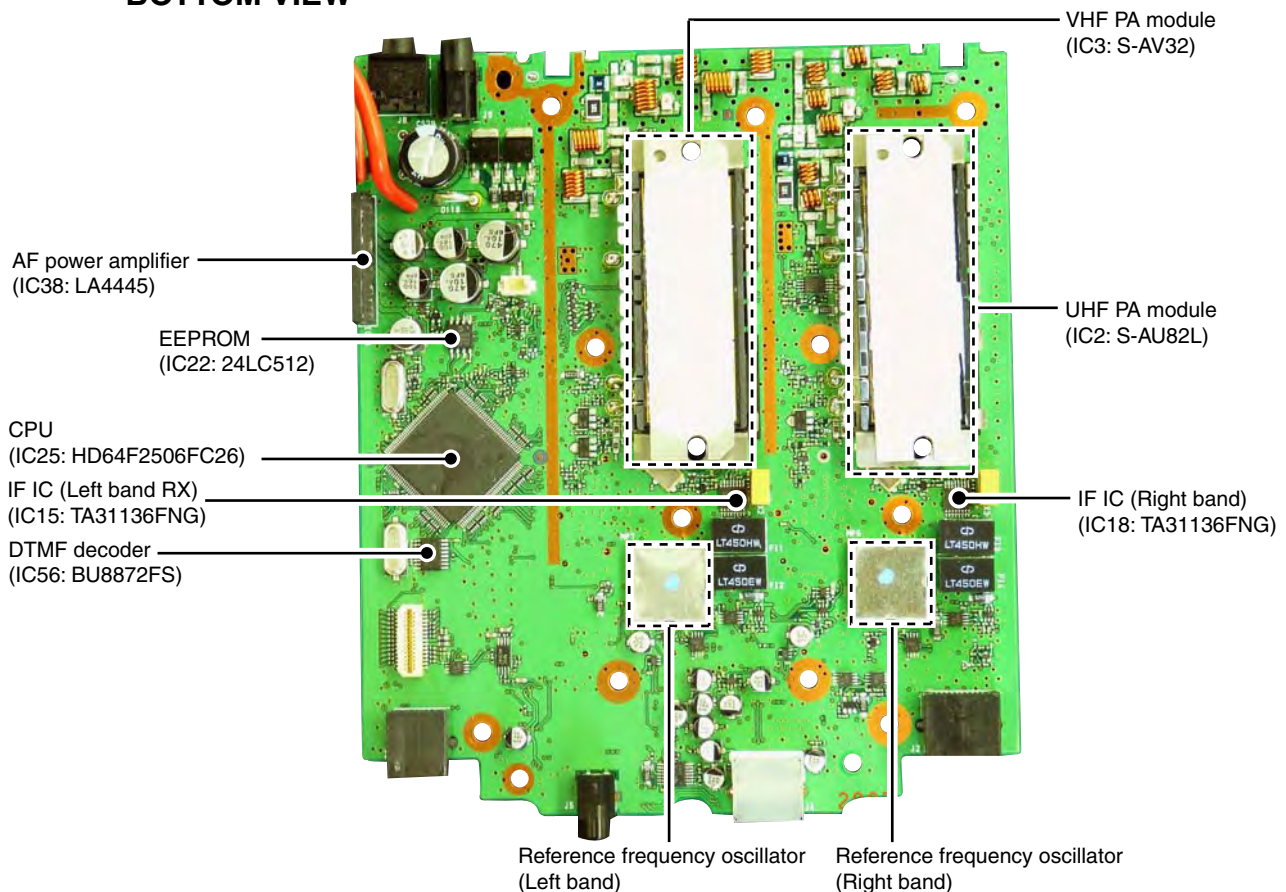
[†]Guaranteed 144–146 or 144–148 MHz and 430–440 or 440–450 MHz ranges only.

All stated specifications are subject to change without notice or obligation.

• TOP VIEW



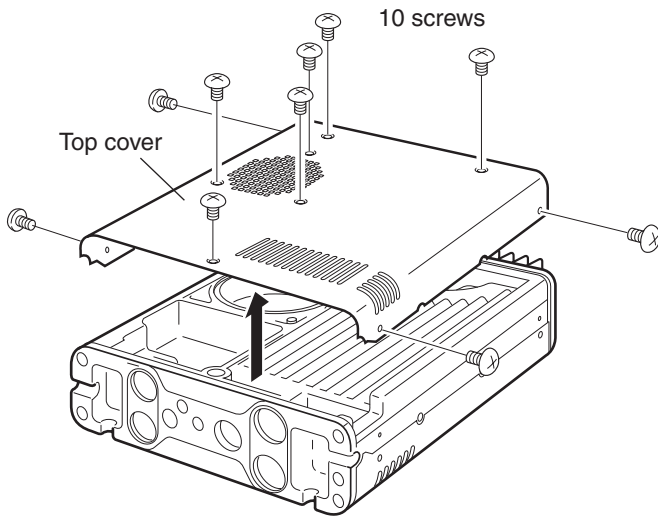
• BOTTOM VIEW



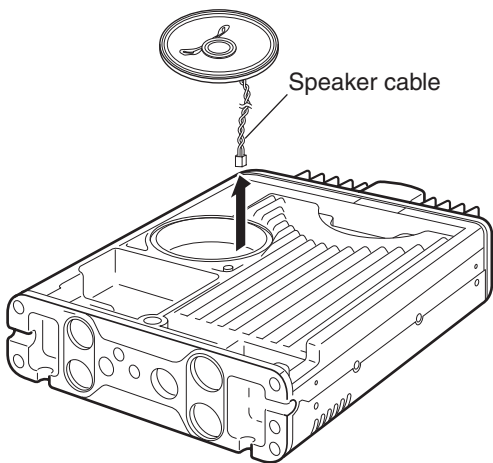
SECTION 3 DISASSEMBLY INSTRUCTION

1. Removing the top cover

① Unscrew 10 screws, then remove the top cover.

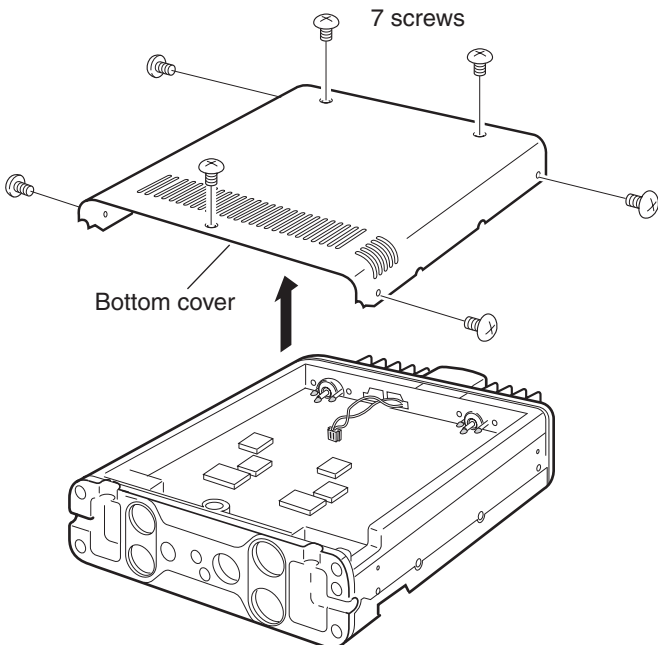


② Disconnect the speaker cable.



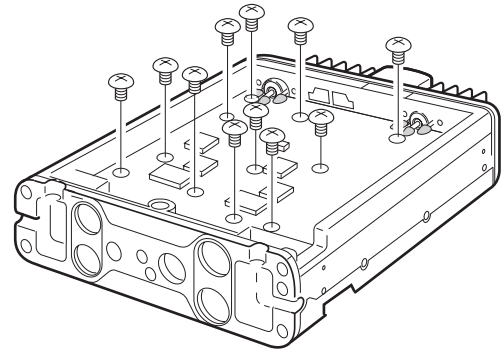
2. Removing the bottom cover

① Unscrew 7 screws, then remove the bottom cover.

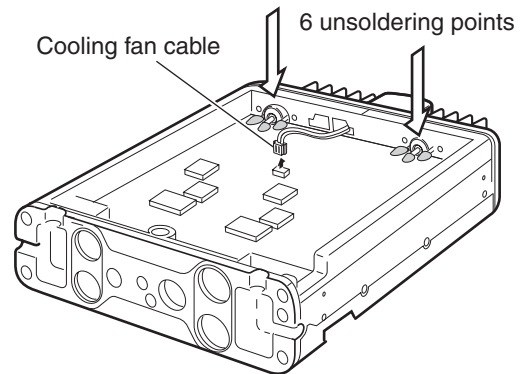


3. Removing the MAIN UNIT

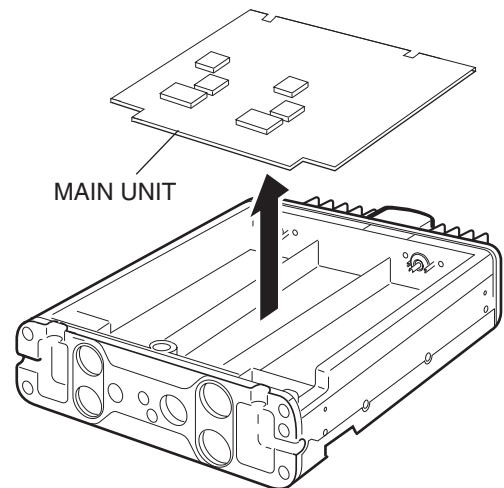
① Unscrew 11 screws from the MAIN UNIT.



② Disconnect the cooling fan cable, and unsolder 6 points at the antenna connectors (grey colored).



③ Remove the MAIN UNIT in the direction of the arrow.



4-1 RECEIVER CIRCUITS

RF CIRCUITS

<Left band>

• 118–174 MHz

The received signals from the antenna connector ANT-1 (J1) are passed through two LPFs (L101, 104, 108, C342, 346; L88, 92, 96, C318, 326, 330), then applied to the RF amplifier (Q37) via TX/RX switch (D75). The amplified signals are passed through the RX switch (RL2), attenuator (D68) and tuned BPF (D55, 66), before being applied to another RF amplifier (Q33). The amplified signals are applied to the 1st mixer (IC19) via the another tuned BPF (D41, 44) and RX switch (D38).

While the diversity operation is activated, the received signals are also input from ANT-2 (J2). The received signals are passed through two LPFs (L103, 106, 109, C344, 348; L90, 93, 98, C319, 327, 348), antenna switch (D65, 72) and limiter (D64, 67), then applied to the RF amplifier (Q39).

The amplified signals are applied to the RX switch (RL2), and gone through the same process as the received signals from ANT-1 (J1).

• 174–260 MHz

The received signals from the antenna connector (J1) are passed through two RX switches (RL3 and D56) and the tuned BPF (D51), then applied to the RF amplifier (Q34). The amplified signals are passed through the BPF (D45), attenuator (R139, 144, 147) and RX switch (D36) before being applied to the 1st mixer (IC19).

• 260–375 MHz

The received signals from the antenna connector (J1) are passed through two RX switches (RL3 and D57) and the tuned BPF (D50), then applied to the RF amplifier (Q35).

The amplified signals are passed through the BPF (D465), attenuator (R142, 143, 150) and RX switch (D37) before being applied to the 1st mixer (IC19).

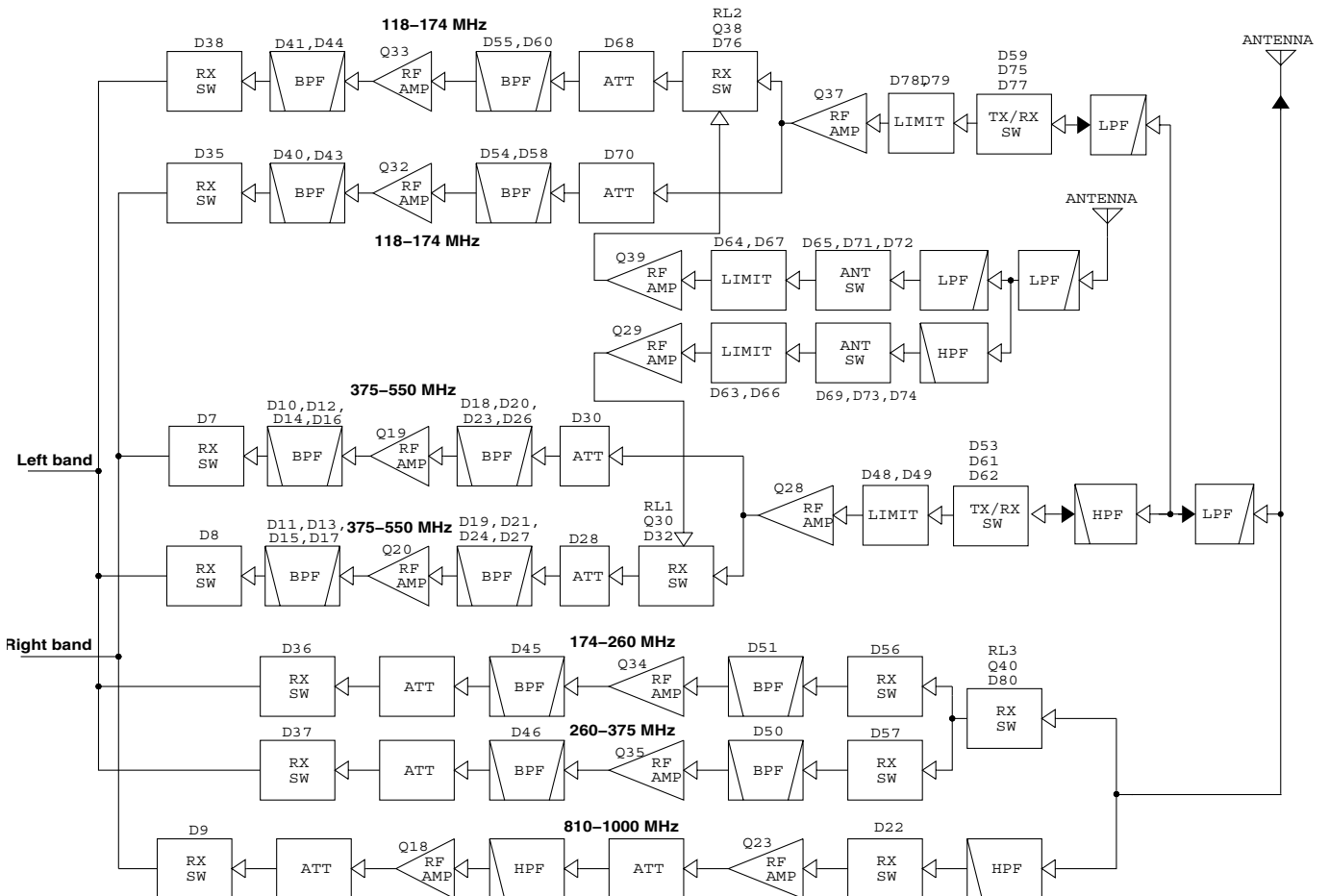
• 375–550 MHz

The received signals from the antenna connector (J1) are passed through the LPF (L101, 104, 108, C342, 346) and HPF (L77, 80, C296, 297, 303, 308), then applied to the RF amplifier (Q28) via TX/RX switch (D53, 61, 62). The amplified signals are passed through the RX switch (RL1), attenuator (D28) and tuned BPF (D19, 21, 24, 27), before being applied to another RF amplifier (Q20). The amplified signals are applied to the 1st mixer (IC19) via the another tuned BPF (D11, 13, 15, 17) and RX switch (D8).

While the diversity operation is activated, the received signals are also input from antenna connector ANT-2 (J2). The received signals are passed through the LPF (L103, 106, 109, C344, 348), HPF (L95, 99, C329, 333, 338), antenna switch (D69, 73, 74) and limiter (D63, 66), then applied to the RF amplifier (Q29).

The amplified signals are applied to the RX switch (RL1), and gone through the same process as the received signals from ANT-1 (J1).

• RF CIRCUITS



1ST IF CIRCUITS

RX signals from the RF circuits are converted into the 38.85 MHz 1st IF signal by being mixed with LO signals from the left band VCO (Q111, D145-147).

The converted IF signal from the 1st mixer is passed through the IF filter (F15) to be filtered. The filtered IF signal is applied to the 1st IF amplifier (Q66) via the limiter (D88). The amplified 1st IF signal is applied to the IF IC (IC15, pin 16)

2ND IF AND DEMODULATOR CIRCUITS (Fig. 2)

IC15 is an IF IC which contains 2nd mixer, limiter amplifier, noise amplifier, quadrature detector and RSSI circuit, etc. in its package.

The 1st IF signal from the 1st IF amplifier (Q66) is converted into the 450 kHz 2nd IF signal by being mixed with tripled reference frequency signal (38.4 MHz) from the PLL IC (IC41) via the tripler (Q105). The converted 2nd IF signal is output from pin 3, and passed through the ceramic filter (F11 for narrow mode, F12 for wide mode) to remove sideband noise, then applied to the IF IC from pin 5 again.

• FM DEMODULATOR

The filtered 2nd IF signal from pin 5 is amplified at the limiter amplifier, and FM-demodulated at the quadrature detector circuit. The demodulated AF signals are output from pin 9 and routed to the AF circuits via two AF switches (IC11 and IC13).

• AM DEMODULATOR CIRCUITS

In the AM mode, the 2nd IF signal from the F12 is applied to the AM-demodulator circuit (Q55, Q57). The demodulated AF signals are routed to the AF circuits via two AF switches (IC11 and IC13).

SQUELCH CIRCUITS

• NOISE SQUELCH

A portion of FM-demodulated AF signals from the IF IC (IC15, pin 9) are level-adjusted by D/A converter (IC8), and passed through the noise filter (IC15 and some R and C) to be filtered noise components (30 kHz and above signals) in the AF signals. The filtered noise components are detected in the IC15 and output from pin 13, then applied to the CPU (IC25, pin 100) as "L_SQL" signal.

Then the CPU outputs "L_AF_MUTE" signal from pin 82 to the speaker mute switch (Q102), according to the "L_SQL" signal level. Thus the AF line is connected to the GND to turn the AF output OFF.

• CTCSS/DTCS

CTCSS/DTCS signals in the demodulated AF signals from the AF switch (IC13) are passed through the tone filter (Q41). The filtered CTCSS/DTCS signals are applied to the CPU IC25, pin 70) as "L_DTCSIN" signal. The CPU (IC25) compares the applied signal and the set CTCSS/DTCS, then outputs control signal as same as "NOISE SQUELCH."

• DTMF

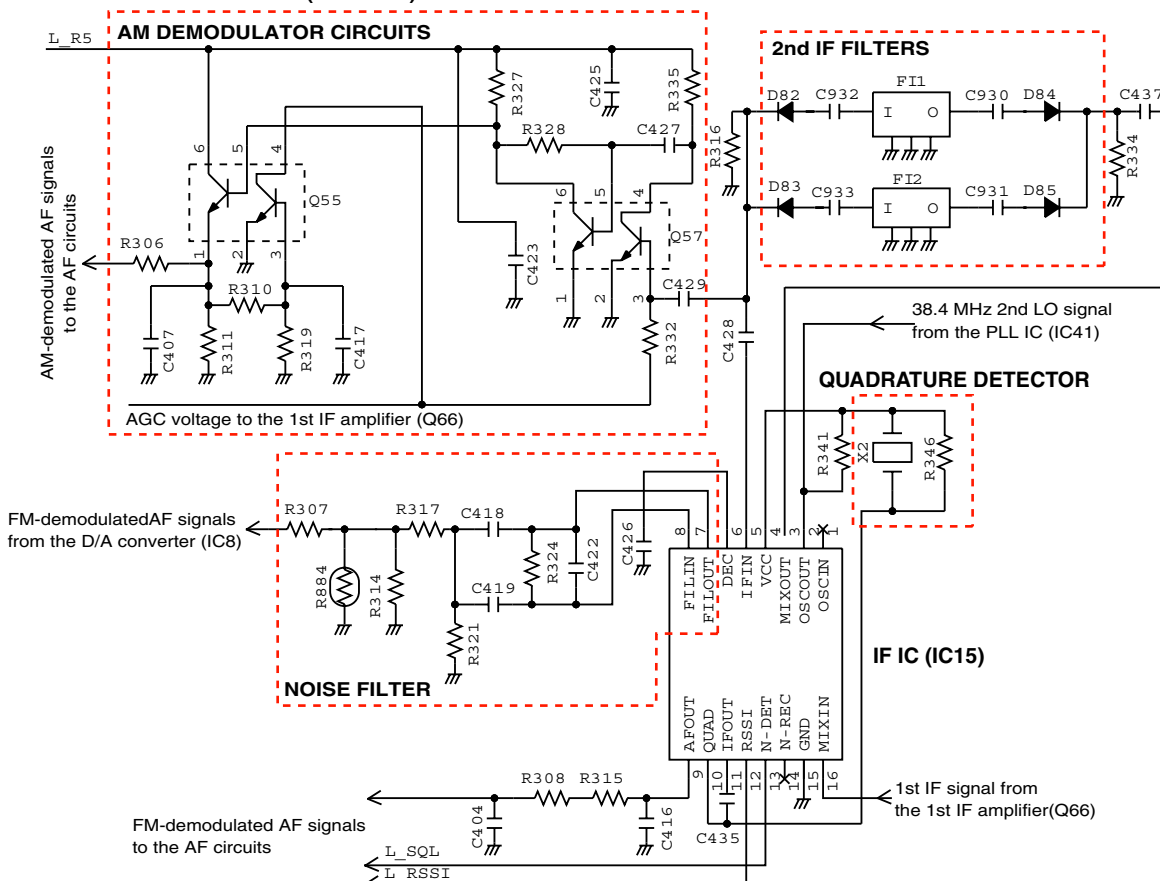
DTMF signals in the demodulated AF signals from the AF switch (IC13) are passed through two AF switches (IC57 and IC58), then applied to the DTMF decoder (IC56) to be decoded.

AF CIRCUITS

The AM/FM-demodulated AF signals from the AF switch (IC11) are passed through the AF filter (Q47). The filtered AF signals are applied to the electric volume (IC33) to be adjusted its level. The level-adjusted AF signals are applied to the dual AF power amplifier (IC38) to obtain AF output power level, then applied to the internal (CHASSIS; SP1) or an external speaker via external speaker jack (J7).

If an external speaker is connected to the J8, the level-adjusted AF signals from the electric volume (IC33) are applied to the connected speaker.

• 2ND IF AND DEMODULATOR CIRCUITS (LEFT BAND)



RF CIRCUITS
<Right band>
• 118–174 MHz

The received signals from the antenna connector ANT-1 (J1) are passed through two LPFs (L101, 104, 108, C342, 346; L88, 92, 96, C318, 326, 330), then applied to the RF amplifier (Q37) via TX/RX switch (D59). The amplified signals are passed through the attenuator (D70) and tuned BPF (D54, 58), before being applied to another RF amplifier (Q32). The amplified signals are applied to the 1st mixer (IC20) via the another tuned BPF (D40, 43) and RX switch (D35).

• 375–550 MHz

The received signals from the antenna connector (J1) are passed through the LPF (L101, 104, 108, C342, 346) and HPF (L77, 80, C296, 297, 303, 308), then applied to the RF amplifier (Q28) via TX/RX switch (D53, 61, 62). The amplified signals are passed through the attenuator (D30) and tuned BPF (D18, 20, 23, 26), before being applied to another RF amplifier (Q19). The amplified signals are applied to the 1st mixer (IC20) via the another tuned BPF (D10, 12, 14, 16) and RX switch (D7).

• 810–1000 MHz

The received signals from the ANT-1 (J1) are passed through the HPF (L102, 105, 107, 110, C337, 339, 340, 343, 347, 349) and RX switch (D22), then applied to the RF amplifier (Q23). The amplified signals are passed through the attenuator (R39, 40, 51), and applied to the another RF amplifier (Q18) to be amplified again. The amplified signals are then passed through another attenuator (R14) and RX switch (D9) before being applied to the 1st mixer (IC20).

1ST IF CIRCUITS

RX signals from the RF circuits are converted into the 46.35 MHz 1st IF signal by being mixed with LO signals from the right band VCO (Q72, D89, 90; Q73, D87, 91, 92).

The converted IF signal from the 1st mixer (IC20) is passed through the IF filter (IF6) to be filtered. The filtered IF signal is applied to the 1st IF amplifier (Q75) via the limiter (D100). The amplified 1st IF signal is applied to the IF IC (IC18, pin 16)

2ND IF AND DEMODULATOR CIRCUITS

IC15 is an IF IC which contains 2nd mixer, limiter amplifier, noise amplifier, quadrature detector and RSSI circuit, etc. in its package.

The 1st IF signal from the 1st IF amplifier (Q75) is converted into the 450 kHz 2nd IF signal by being mixed with tripled reference frequency signal (45.9 MHz) from the PLL IC (IC14) via the tripler (Q52). The converted 2nd IF signal is output from pin 3, and passed through the ceramic filter (FI3 for narrow mode, FI4 for wide mode) to remove sideband noise, then applied to the IF IC from pin 5 again.

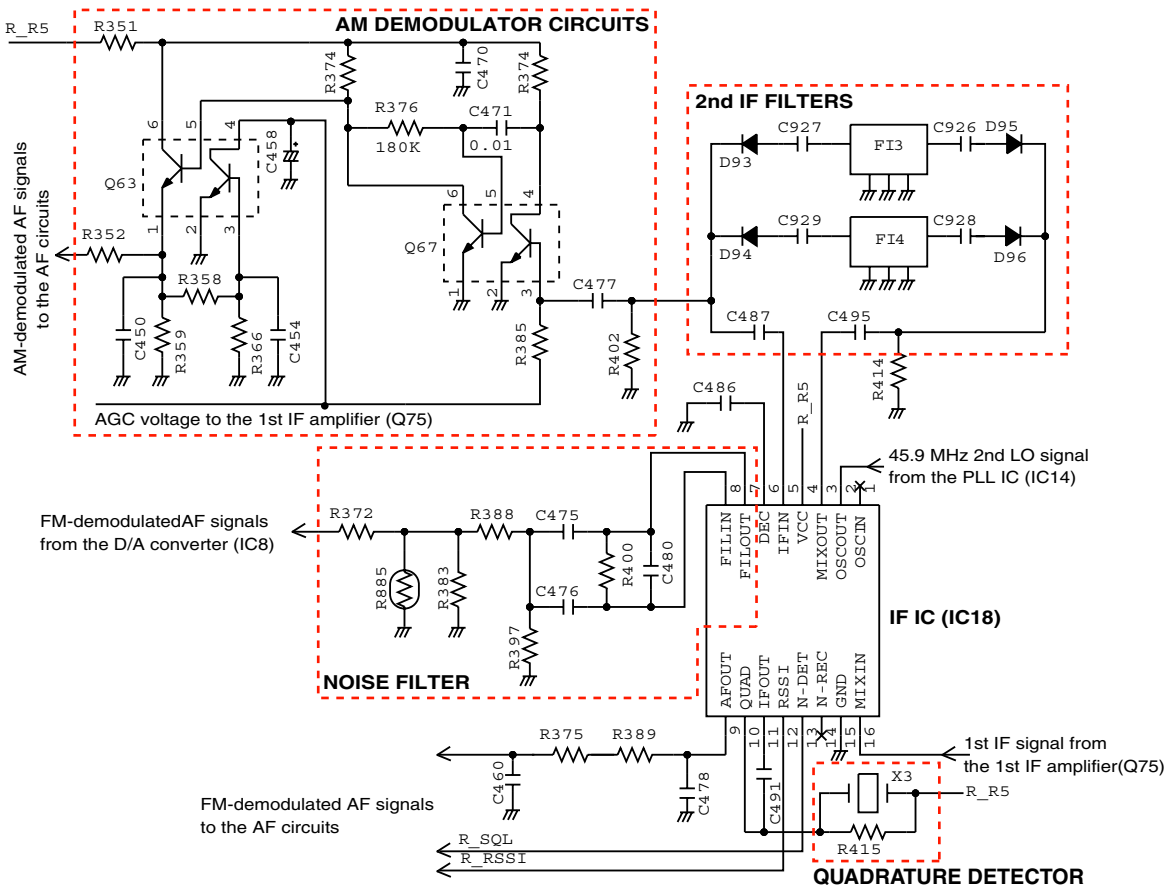
• FM DEMODULATOR

The filtered 2nd IF signal from pin 5 is amplified at the limiter amplifier, and FM-demodulated at the quadrature detector circuit (X3). The demodulated AF signals are output from pin 9 and routed to the AF circuits via two AF switches (IC12 and IC16).

• AM DEMODULATOR CIRCUITS

In the AM mode, the 2nd IF signal from the FI3 is applied to the AM-demodulator circuit (Q63, Q67). The demodulated AF signals are routed to the AF circuits via two AF switches (IC12 and IC16).

• DEMODULATOR CIRCUITS (Right band)



SQUELCH CIRCUITS

• NOISE SQUELCH

A portion of FM-demodulated AF signals from the IF IC (IC18, pin 9) are level-adjusted by D/A converter (IC8), and passed through the noise filter (IC18 and some R and C) to be filtered noise components (30 kHz and above signals) in the AF signals. The filtered noise components are detected in the IC18 and output from pin 13, then applied to the CPU as "R_SQL" signal.

Then the CPU outputs "R_AF_MUTE" signal from pin 51 to the speaker mute switch (Q102), according to the "R_SQL" signal level. Thus the AF line is connected to the GND to turn the AF output OFF.

• CTCSS/DTCS

CTCSS/DTCS signals in the demodulated AF signals from the AF switch (IC16) are passed through the tone filter (Q42). The filtered CTCSS/DTCS signals are applied to the CPU IC12) as "R_DTCS" signal.

The CPU (IC25) compares the applied signal and the set CTCSS/DTCS, then outputs control signal as same as "NOISE SQUELCH."

• DTMF

DTMF signals in the demodulated AF signals from the AF switch (IC16) are passed through two AF switches (IC57 and IC58), then applied to the DTMF decoder (IC56) to be decoded.

AF CIRCUITS

The AM/FM-demodulated AF signals from the AF switch (IC12) are passed through the AF filter (Q48). The filtered AF signals are applied to the electric volume (IC33) to be adjusted its level. The level-adjusted AF signals are applied to the dual AF power amplifier (IC38) to obtain AF output power level, then applied to the an external speaker via external speaker jack (J8).

4-2 TRANSMITTER CIRCUITS

MICROPHONE AMPLIFIER CIRCUITS

The audio signals from the microphone (MIC signals) are applied to the microphone amplifier (IC28) via J2 and HPF (Q87). The amplified MIC signals are passed through the microphone gain switch (Q88) and MIC mute switch (IC30), then passed through or by-passed ALC amplifier (IC32) via AF switches (IC29 and IC52).

The MIC signals from the AF switch (IC52) are passed through the HPF (IC48), LPF (IC48) and AF switch (IC51), and then applied to the AF amplifier (IC48). The amplified MIC signals are applied to the D/A converter (IC8) for level (deviation) adjustment. The level adjusted MIC signals are applied to the VCO as the modulation signals via modulation signal selector.

<OPERATION ON THE LEFT BAND>

The modulation signals are applied to the variable capacitor D147 of the left band VCO (Q111, D145-147) via the modulation selector (IC9) and modulation mute switch (Q109), and modulated. The modulated VCO output are amplified by the buffer (Q113) and LO amplifier (IC44), and applied to the transmit amplifiers as the TX signal, via the LO switches (D155, 157), LPF(L157, C818, 820) and attenuator (R33, 37, 46).

TRANSMIT POWER AMPLIFIERS

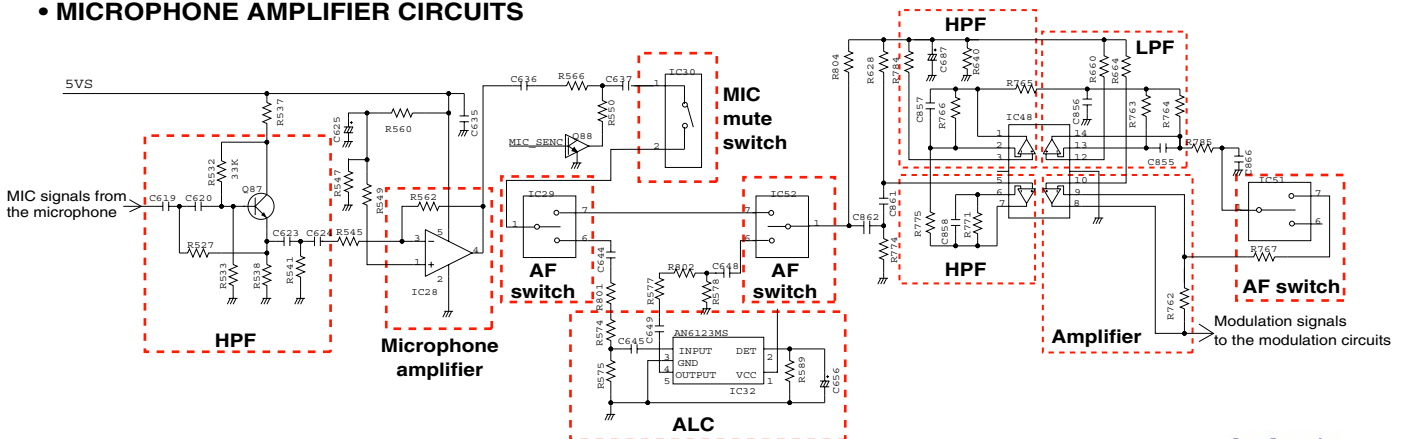
TX signal from the attenuator (R33, 37, 46) is amplified by pre-drive (Q25) and drive (Q27) amplifiers to obtain RF level for power module (IC3). The amplified TX signal is applied to the power amplifier which is a VHF band PA module composed by two power MOS-FETs. The power-amplified TX signal is passed through the LPF, power detector, antenna switch (D59) and LPF, before being applied to the antenna connector (CHASSIS; J1).

APC CIRCUITS

A portion of the TX signal from IC3 is rectified at the power detector (D39, D47), and converted into the DC voltage which is in proportion to the RF power, and applied to the operational amplifier (IC4, pin 6). IC4 is an APC amplifier for both of V/UHF bands. The TX power setting voltage "PCON_V" from the D/A converter (IC1, pin 7) is applied to the pin 5 as a reference. IC4 is rolled as a differential amplifier which outputs voltage in inverse proportion to rectified one. When the TX power increased, the rectified voltage also increased, that causes the decrease of output voltage of differential amplifier. The decrease of output voltage of differential amplifier causes the drop of the gate voltage of IC3, Thus the TX power maintained to keep stable level.

TX muting is carried out by TX mute SW (Q36) controlled by "TX_mute" signal. Applying "TX_mute" signal to the base terminal of Q36 to turn it ON, 8 V DC appears on the pin 6 of IC4 and its output voltage downs to 0 V DC to inactivate IC3.

• MICROPHONE AMPLIFIER CIRCUITS



<OPERATION ON THE RIGHT BAND>

The modulation signals are applied to the variable capacitor D87 of the left band VCO (Q73, D87, 91, 92) via the modulation selector (IC63) and modulation mute switch (Q64), and modulated. The modulated VCO output are amplified by the buffer (Q76) and LO amplifier (IC45), and applied to the transmit amplifiers as the TX signal, via the VCO switch (D102). The amplified LO signals are applied to the transmit amplifiers via the LO switch (D103), two HPFs (L124, C527, 532; L159, C533, 535) and attenuator (R43, 47, 57).

TRANSMIT POWER AMPLIFIERS

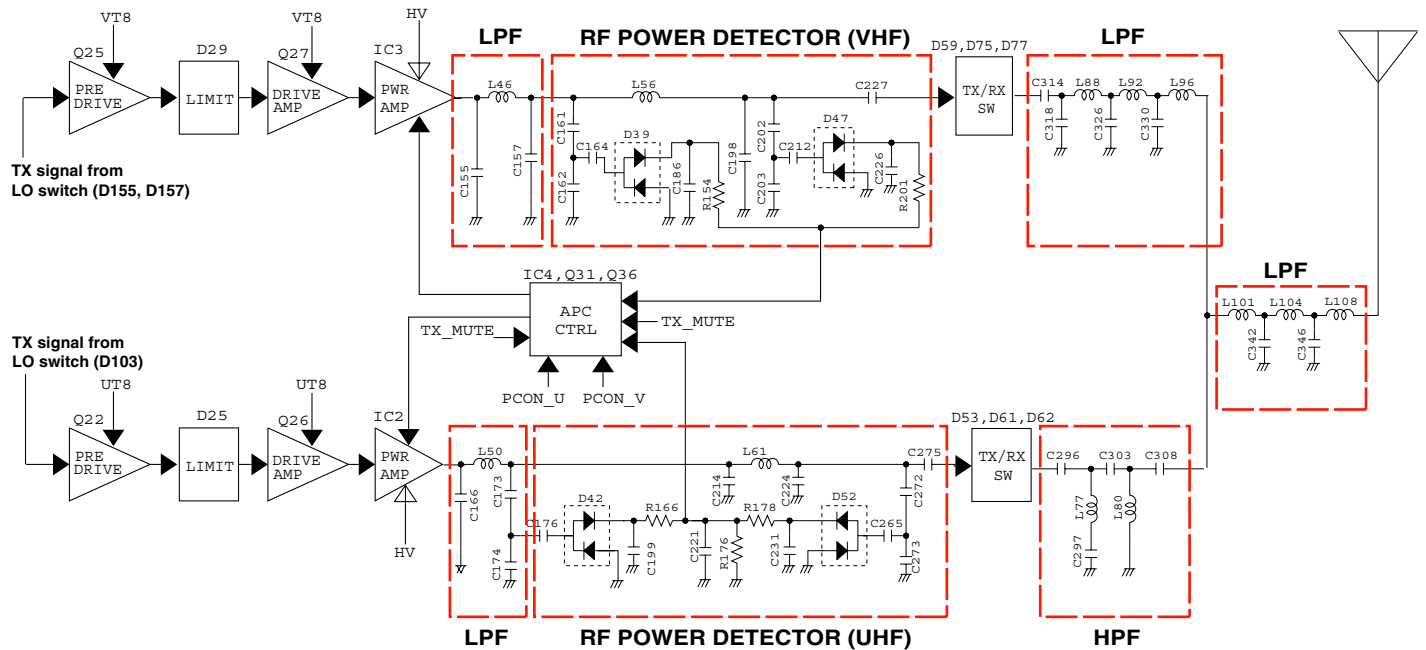
TX signal from the attenuator (R43, 47, 57) is amplified by pre-drive (Q22) and drive (Q26) amplifiers to obtain RF level for power module (IC2). The amplified TX signal is applied to the power amplifier which is a UHF band PA module composed by two power MOS-FETs. The power-amplified TX signal is passed through the LPF, power detector, antenna switch (D62) and LPF, before being applied to the antenna connector (CHASSIS; J1).

APC CIRCUITS

A portion of the TX signal from IC2 is rectified at the power detector (D42, 52), and converted into the DC voltage which is in proportion to the RF power, and applied to the operational amplifier (IC4, pin 2). IC4 is an APC amplifier for both of V/UHF bands. The TX power setting voltage "PCON_U" from the D/A converter (IC1, pin 6) is applied to the pin 3 as a reference. IC4 is rolled as a differential amplifier which outputs voltage in inverse proportion to rectified one. When the TX power increased, the rectified voltage also increased, that causes the decrease of output voltage of differential amplifier. The decrease of output voltage of differential amplifier causes the drop of the gate voltage of IC2, Thus the TX power maintained to keep stable level.

TX muting is carried out by TX mute SW (Q36) controlled by "TX_mute" signal. Applying "TX_mute" signal to the base terminal of Q36 to turn it ON, 8 V DC appears on the pin 6 of IC4 and its output voltage downs to 0 V DC to inactivate IC3.

• APC CIRCUITS



4-3 FREQUENCY SYNTHESIZER

VCOs

This transceiver has 3 VCOs; Left band VCO, Right band RX VCO and Right band TX/RX VCO.

LEFT BAND VCO (Q111, D145–147)

This VCO oscillates 1st LO signals for Left band RX and TX signal for VHF band.

<While receiving>

The VCO output signal is amplified by buffer (Q113) and LO amplifier (IC44), and applied to the LO filters according to the RX frequency.

• While Receiving 118–174 MHz signals

LO signals 135.575–255.575 MHz are applied to the divider (IC43) via LO switch (D150) and attenuator (R706, 710, 711), and divided into 271.15–511.15 MHz signals. The divided LO signals are buffer-amplified by Q116, and applied to the left band 1st mixer (IC19) via the LPF (L115, 156, C809, 812, 816) and another LO switch (D156).

• While Receiving 174–260 MHz signals

LO signals 141.15–221.145 MHz are passed through the LPF (L148, 152, C785, 789, 795, 804) via LO switches (D151, 153), and applied to the left band 1st mixer (IC19).

• While Receiving 375–550 MHz signals

LO signals 135.575–255.575 MHz are doubled to 271.15–511.15 MHz signals, by being passed through the HPF (L149, C787, 790, 791), LPF (L151, C794, 796, 799) and HPF (L153, C800, 807) via LO switches (D152, 154). The doubled LO signals are applied to the left band 1st mixer (IC19).

<While transmitting>

The VCO output signal is amplified by buffer (Q113) and LO amplifier (IC44), and applied to the transmit amplifiers via the LO switches (D155, 157), LPF (L157, C818, 820) and attenuator (R33, 37, 46).

RIGHT BAND RX VCO (Q72, D89, 90)

This VCO oscillates 1st LO signals for right band RX (118–174 MHz and 810–1000 MHz).

The VCO output signal is amplified by buffer (Q74) and applied to the LO amplifier (IC45) via VCO switch (D160), and applied to the LO filters according to the RX frequency.

• While Receiving 118–174 MHz signals

LO signals 164.35–220.35 MHz are passed through the LPF (L123, 125, C529, 534, 539) via LO switches (D107, 159), and applied to the right band 1st mixer (IC20).

• While Receiving 810–1000 MHz signals

LO signals 381.825–476.82 MHz*¹ are applied to the LO amplifier (IC62) via LO switch (D101). The amplified LO signals are doubled to 763.65–953.64 MHz*² signals by being passed through the HPF (L130, 133, C554, 558, 560), LPF (L151, C794, 796, 799) and HPF (L135, C563, 568).

The doubled LO signals are applied to the right band 1st mixer (IC20).

RIGHT BAND TX/RX VCO (Q73, D87, 91, 92)

This VCO oscillates 1st LO signals for right band RX (375–550 MHz).

<While receiving>

LO signals 353.65–523.17 MHz are passed through the RF mute switch (Q79) and LPF (L131, 134, C562) via LO switches (D104, 108), and applied to the right band 1st mixer (IC20).

<While transmitting>

The VCO output signal is amplified by buffer (Q76), and applied to the LO amplifier (IC45) via the VCO switch (D102). The amplified LO signals are applied to the transmit amplifiers via the LO switch (D103), two HPFs (L124, C527, 532; L159, C533, 535) and attenuator (R43, 47, 57).

• VCO CONFIGURATION BY FREQUENCY

VCO		LEFT BAND VCO	RIGHT BAND RX VCO	RIGHT BAND TX/RX VCO
Components		(Q111, D145–147)	(Q72, D89, 90)	(Q73, D87, 91, 92)
Oscillating Frequency	RX	(118–174 MHz)	135.575–255.575 MHz	164.35–220.35 MHz
		(174–260 MHz)	141.15–221.145 MHz	381.825–476.82 MHz* ¹
		(375–550 MHz)	135.575–255.575 MHz	–
	TX	136–174 MHz	–	400–470 MHz

*1: 810–1000 MHz for USA

*2: 856.35–1046.34 MHz for USA

PLL CIRCUITS

The PLL circuit provides stable oscillation of the transmit frequency and receive 1st LO frequency. The PLL output frequency is controlled by the divided ratio (N-data) from the CPU.

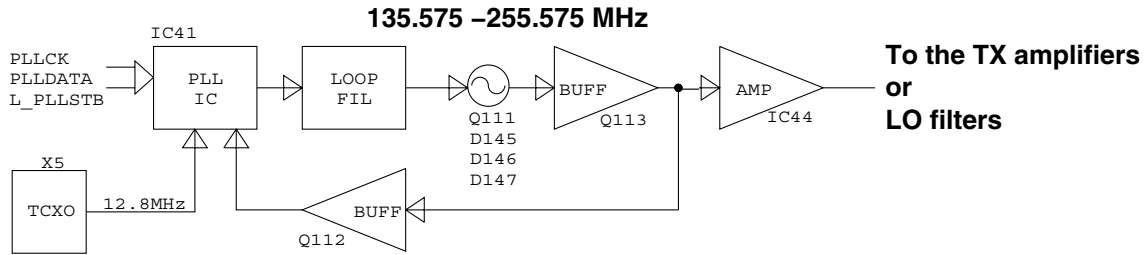
LEFT BAND VCO LOOP

A portion of VCO output signals from the buffer (Q113) are applied to the PLL IC (IC41) via another buffer (Q112). The applied signals are divided at the prescaler and programmable counter according to the control signals ("L_PLLSTB," "PLLDATA" and "PLLCK") from the CPU. The divided signal is phase-compared with the 12.8 MHz reference frequency signal from the reference frequency oscillator (X5), at the phase detector.

The phase difference is output from pin 5 as a pulse type signal after being passed through the internal charge pump. The output signal is converted into the DC voltage (lock voltage) by passing through the loop filter (R694, 696–698, C760–762). The lock voltage is applied to the variable capacitors (D145 and D146), and locked to keep the VCO frequency constant.

If the oscillated signal drifts, its phase changes from that of the reference frequency, causing a lock voltage change to compensate for the drift in the VCO oscillating frequency.

• LEFT BAND VCO LOOP



RIGHT BAND RX VCO LOOP

A portion of VCO output signals from the buffer (Q74) are applied to the PLL IC (IC14) via the VCO switch (D160) and another buffer (Q112). The applied signals are divided at the prescaler and programmable counter according to the control signals ("R_PLLSTB," "PLLDATA" and "PLLCK") from the CPU. The divided signal is phase-compared with the 15.3 MHz reference frequency signal from the reference frequency oscillator (X1), at the phase detector.

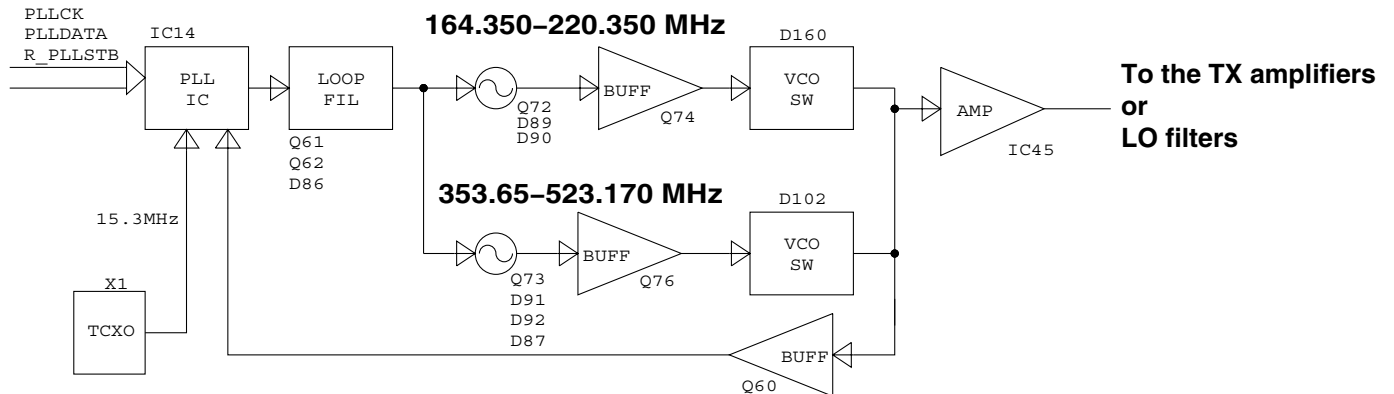
RIGHT BAND TX/RX VCO

A portion of VCO output signals from the buffer (Q76) are applied to the PLL IC (IC14) via the VCO switch (D102) and another buffer (Q60). The applied signals are divided at the prescaler and programmable counter according to the control signals ("R_PLLSTB," "PLLDATA" and "PLLCK") from the CPU. The divided signal is phase-compared with the 15.3 MHz reference frequency signal from the reference frequency oscillator (X1), at the phase detector.

The phase difference is output from pin 5 as a pulse type signal after being passed through the internal charge pump. The output signal is converted into the DC voltage (lock voltage) by passing through the loop filter (Q61, 62, D86). The lock voltage is applied to the variable capacitors (D91, 92), and locked to keep the VCO frequency constant.

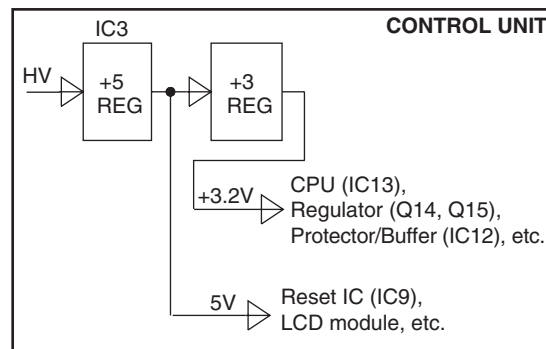
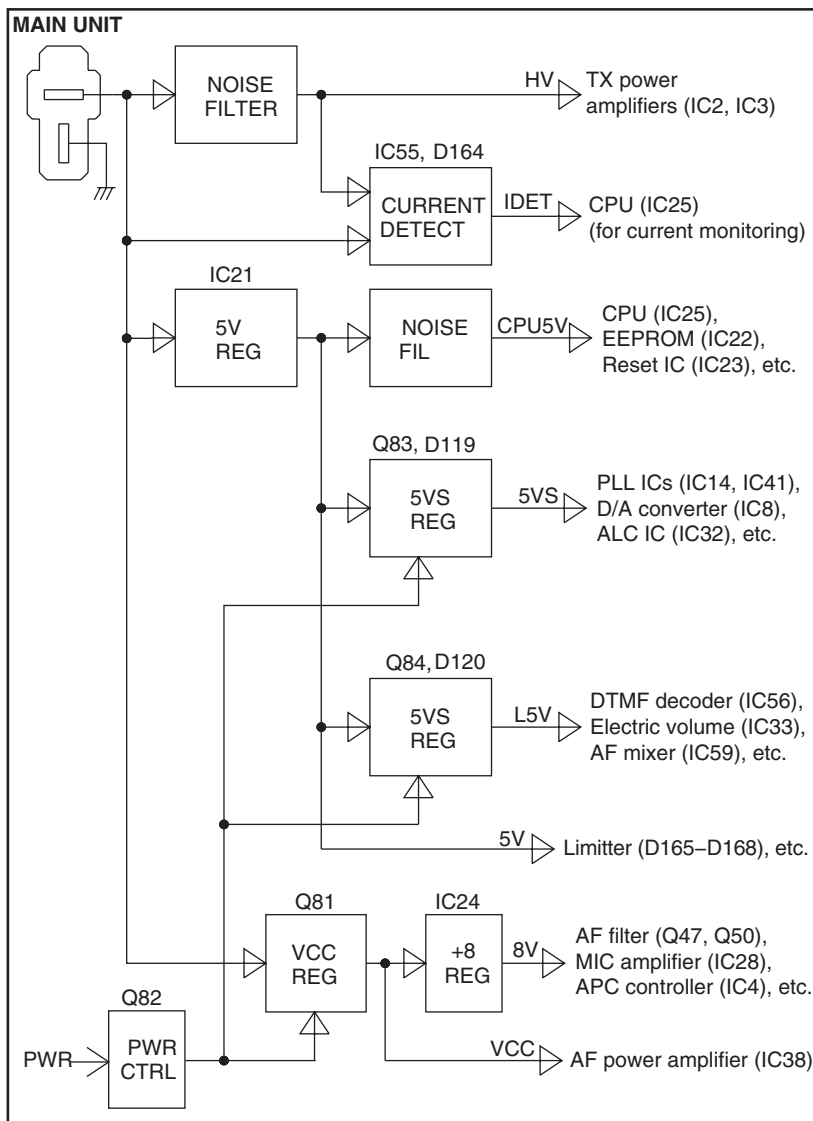
The phase difference is output from pin 5 as a pulse type signal after being passed through the internal charge pump. The output signal is converted into the DC voltage (lock voltage) by passing through the loop filter (Q61, 62, D86). The lock voltage is applied to the variable capacitors (D91, 92), and locked to keep the VCO frequency constant.

• RIGHT BAND RX AND TX/RX VCO LOOP



4-4 POWER SUPPLY CIRCUITS

Voltage from the power supply is routed to whole of the circuit in the transceiver via switches and regulators.



4-5 CPU PORT ALLOCATION

PIN No.	PORT NAME	DESCRIPTION	I/O
3	AN	Cut-off frequency shifting signal to the HPF (IC48).	O
4	DA_SEL	Cut-off frequency shifting signal to the HPF (IC48).	O
5	MM_MUTE	MIC mute signal to the MIC mute switch (IC30). "H"=MIC mute.	O
6	DCONT	ALC amplifier control signal tot the AF switches (IC29 and IC52). "H"=ALC amplifier ON.	O
7	R_WN_SEL	2nd IF filter (Right band; Wide/Narrow) toggling signal. "H"=Narrow. "L"=Wide.	O
11	MIC_SENC	Microphone sensitivity select signal. "H"=High sensitivity.	O
17	MOD_DA	Modulation line switching signal to the MOD selector (Left band; IC9). "H"=Modulation enable.	O
18	MODSEL	Modulation line switching signal to the MOD selector (Right band; IC63). "H"=Modulation enable.	O
21	R_PLLSTB	Strobe signal to the PLL IC (Right band; IC14).	O
22	L_PLLSTB	Strobe signal to the PLL IC (Left band; IC41).	O
23	L_AMC	AM-demodulator circuit (Left band) control signal. "H"=AM mode (AM-modulator circuit is activated).	O
24	DTCS_SEL	Tone filter switching signal to the LPF (Q100). "H"=DTCS mode. "L"=CTCSS mode.	O
25	L_R5C	RX circuits (Left band) control signal. "H"=RX circuits (Left band) is activated.	O
26	L_WN_SEL	2nd IF filter (Wide/Narrow) toggling signal.(Left band) "H"=Narrow. "L"=Wide."	O
27	UMMUTE	Modulation mute signal to the MOD mute switch (Right band; Q64). "H"=Modulation muted.	O
28	UTX_C	Transmitting control signal to the VT8 regulator (Q12, 15).	O
29	L_VCO_SHIFT	VCO oscillating frequency shift signal to the Left band VCO.	O
30	R_PLLSW	Lock-up time control signal to the loop filter (Right band). "H"=Fast lock-up time.	O
31	R_UNLOCK	PLL unlock signal from the PLL IC (Right band; IC14).	I
32	PLLCK	Clock signal to the PLL ICs (Right band; IC14, Left band; IC41). (Commonly used for both of the Left and Right bands.)	O
33	PLLDATA	Data to the PLL ICs (Right band; IC14, Left band; IC41). (Commonly used for both of Left and Right bands.)	O
34	L_UNLOCK	PLL unlock signal from the PLL IC (Left band; IC41).	I
35	VMMUTE	Modulation mute signal to the MOD mute switch (Left band; Q109). "H"=Modulation muted.	O
36	VTX_C	Transmitting control signal to the UT8 regulator (Q13, 17). "H"=While transmitting.	O
37	L_PLLSW	Lock-up time control signal to the loop filter (left band). "H"=Fast lock-up time.	O

PIN No.	PORT NAME	DESCRIPTION	I/O
38	R_UVCO_SEL	VCO power control signal to the VCO select switch (Right band UHF; Q65, 68). "L"=Right band TX/RX VCO is activated.	O
39	R_VVCO_SEL	VCO power control signal to the VCO select switch (Right band VHF; Q65, 68). "L"=Right band RX VCO is activated.	O
40	L_LO_SW	LO filter switching signal to the LO regulator (Q106).	O
42	R_DA_SEL	AF line switching signal to the AF switch (IC12).	O
42	R_AFFIL_SEL	Switching signal to the AF filter (Right band; Q48).	O
43	R_DET_MUTE	AF line switching signal to the AF switch (IC16). "H"=AF mute.	O
44	L_DA_SEL	AF line switching signal to the AF switch (IC11).	O
45	L_DET_MUTE	AF line switching signal to the AF switch (IC13). "H"=AF mute.	O
48	D5VC	Power control signal for the optional unit.	O
51	R_AF_MUTE	AF mute signal to the SP mute switch (Right band; Q101). "H"=AF mute.	O
52	L_AFFIL_SEL	Switching signal to the AF filter (Left band; Q47).	O
53	DA3STB	Strobe signal to the D/A converter.	O
53	DA2_STB	Strobe signal to the electric volume.	O
55	DTCS	DTCS signal.	O
56	DTMF	DTMF signal.	O
57	MIC_SEL	Connected microphone detect signal.	I
61	DTMSTB	Strobe signal to the DTMF decoder (IC56).	-
62	MICUD	[UP]/[DWN] key input.	I
63	R_RSLV	While receiving; inputs RSSI signal (IC18; Right band). While transmitting; inputs Lock Voltage from the PLL IC (IC14).	I
64	L_RSLV	While receiving; inputs RSSI signal from IF ICI (IC15; Left band). While transmitting; inputs Lock Voltage from the PLL IC (IC41).	I
65	IDET	Current level from the current detector (IC55, Q164).	I
66	R_WXALT	Demodulated Weather alert signal from the WX filter (Q47). [USA] only	I
68	R_DTCS_IN	Demodulated DTCS signals from the CTCSS filter (Q42).	I
69	L_WXALT	Demodulated Weather alert signal from the WX filter (Q48). [USA] only	I
70	L_DTCS_IN	Demodulated DTCS signals from the CTCSS filter (Q41).	I
71	TEMP	Transceiver's internal temperature from the thermal detector circuit (R509).	I
76	SCL	I/O port for clock signal to the EEPROM (IC22).	I/O
77	AF_VOL_CK	Serial clock signal to the electric volume IC.	O
78	AF_VOL_DATA	Data signal to the electric volume IC.	O
79	AF_VOL_STB	Latch enable signal to the electric volume IC.	O
80	AF_VOL_RES	Reset signal to the electric volume IC.	O
80	PWR	Power control signal to the PWR controller (Q82). "H"=While the power is ON.	O
82	SDA	Data signal to the EEPROM (IC22).	I/O

PIN No.	PORT NAME	DESCRIPTION	I/O
83	L_AF_MUTE	AF mute signal to the SP mute switch (Q102).	O
85	MIC_PTT	Input port for [PTT] key on the connected microphone.	I
100	RESET	Reset enable signal input.	I
101	L_SQL	Noise signal from the IF IC (Left band; IC15).	I
102	CL_SFT2	Clock frequency shifting signal.	O
105	R_SQL	Noise signal from the IF IC (Right band; IC18).	I
122	R_DATA	Data lines for the control unit.	I
123	TX_DATA	Data lines for the control unit.	O
127	TX232	Data bus for RS-232C communication.	O
128	RX232	Data bus for RS-232C communication.	I
129	DA_CK	Serial clock signal to the D/A converter.	O
130	DA_DATA	Serial data to the D/A converter.	O
134	DA_STB	Strobe signal to the D/A converter.	O
135	R_R5C	RX circuits (Right band) control signal.	O
136	R400_S	Power line control signal to the 375–550 MHz band RF circuit (Right band).	O
137	R_RX800	Power line control signal to the 810–1000 MHz band RF circuit (Right band).	O
138	R_AMC	AM-demodulator circuit (Right band) control signal.	O
143	DTMSD	Data to the DTMF decoder (IC56).	-
144	DTMCK	Clock signal to the DTMF decoder (IC56).	-

SECTION 5 ADJUSTMENT PROCEDURE

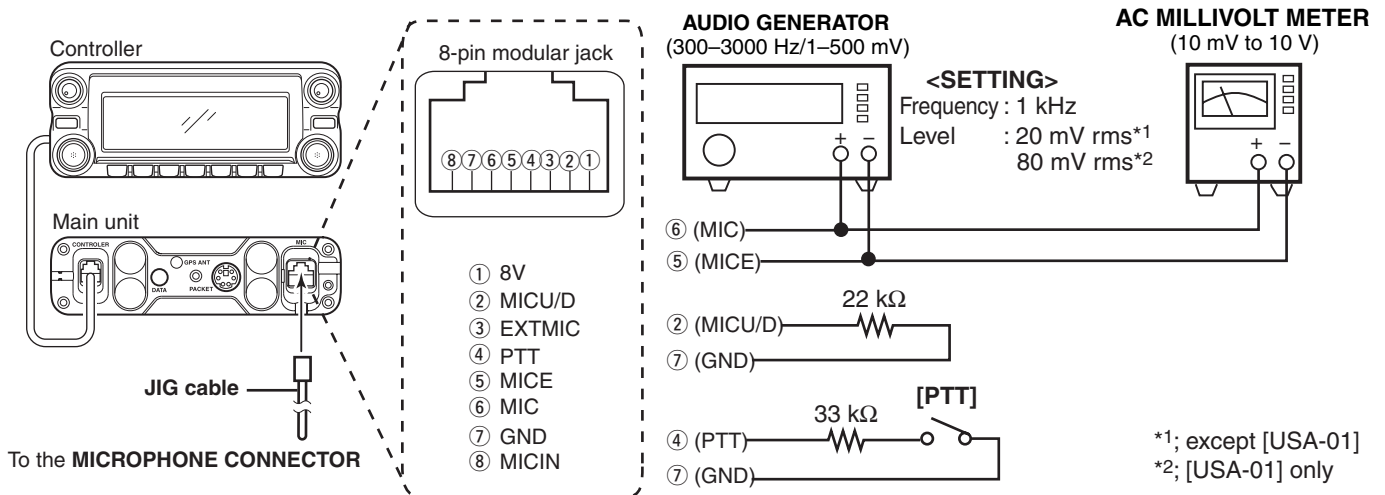
5-1 PREPARATION

REQUIRED TEST EQUIPMENTS

When adjusting IC-2820H, following test equipments and JIG cable (modified 8-pin modular jack; see the illust below) are required.

EQUIPMENT	GRADE AND RANGE	EQUIPMENT	GRADE AND RANGE
DC power supply	Output voltage : 13.8 V DC Current capacity : More than 20 A	Audio generator	Frequency range : 300–3000 Hz Output level : 1–500 mV
RF power meter (terminated type)	Measuring range : 1–100 W Frequency range : 100–600 MHz Impedance : 50 Ω SWR : Less than 1.2 : 1	Standard signal generator (SSG)	Frequency range : 0.1–1 GHz Output level : 0.1 μV to 32 mV (–127 to –17 dBm)
Frequency counter	Frequency range : 0.1–600 MHz Frequency accuracy: ±1 ppm or better Sensitivity : 100 mV or better	AC millivoltmeter	Measuring range : 10 mV to 10 V
		Terminator	Impedance : 50 Ω Capacity : More than 100 W
Modulation Analyzer	Frequency range : 30–600 MHz Measuring range : DC to ±10 kHz	Attenuator	Power attenuation : 40 dB Capacity : More than 100 W

JIG CABLE

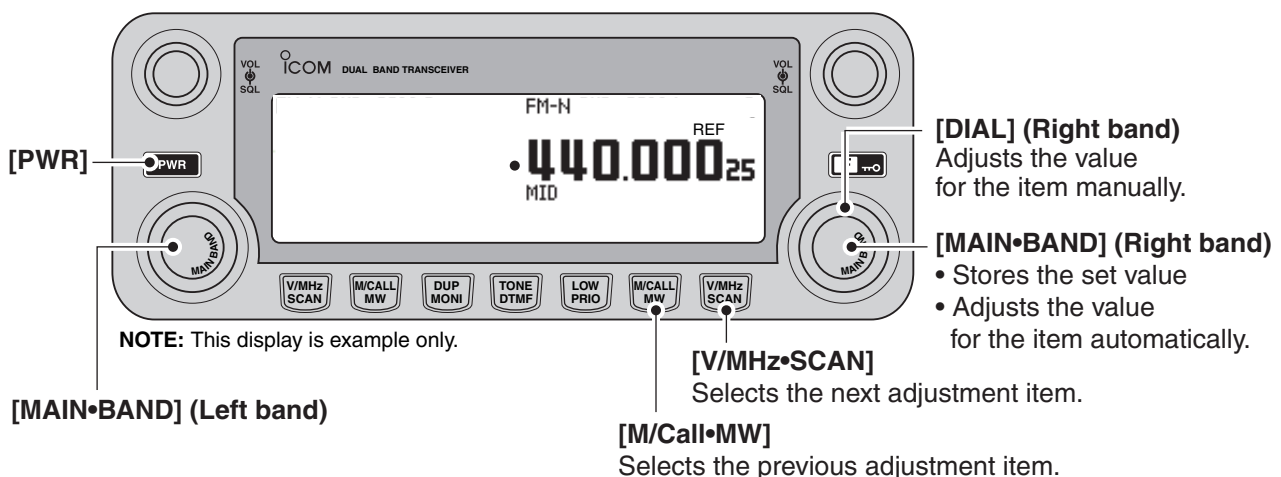


ENTERING ADJUSTMENT MODE

- Connect the JIG cable to the **MICROPHONE CONNECTOR** (see the illust above).
- Push and hold the both of **[MAIN•BAND]** keys, then turn power ON.

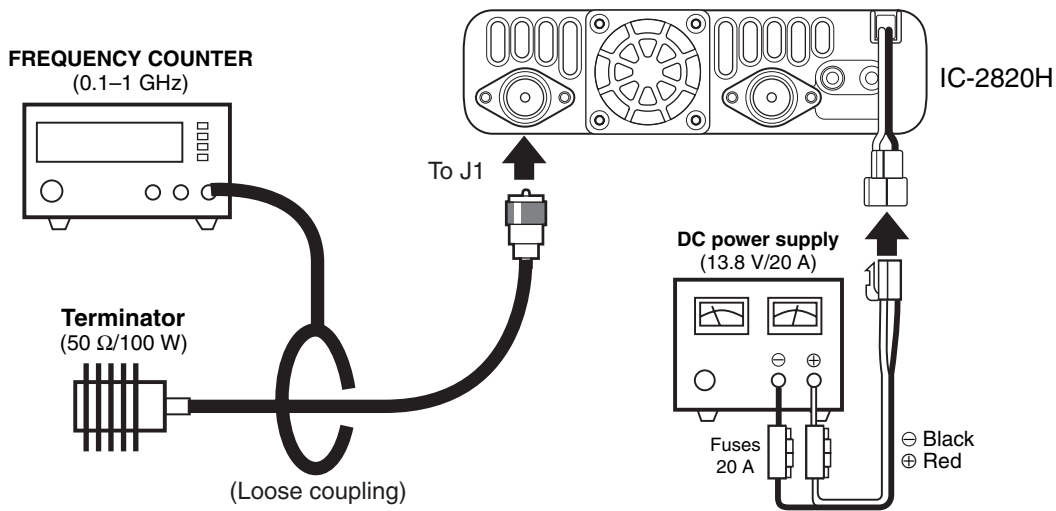
KEY ASSIGNMENTS IN THE ADJUSTMENT MODE

Entering adjustment mode, the function display shows adjustment item and conditions as below.



5-2 FREQUENCY ADJUSTMENT

• CONNECTIONS FOR FREQUENCY ADJUSTMENT

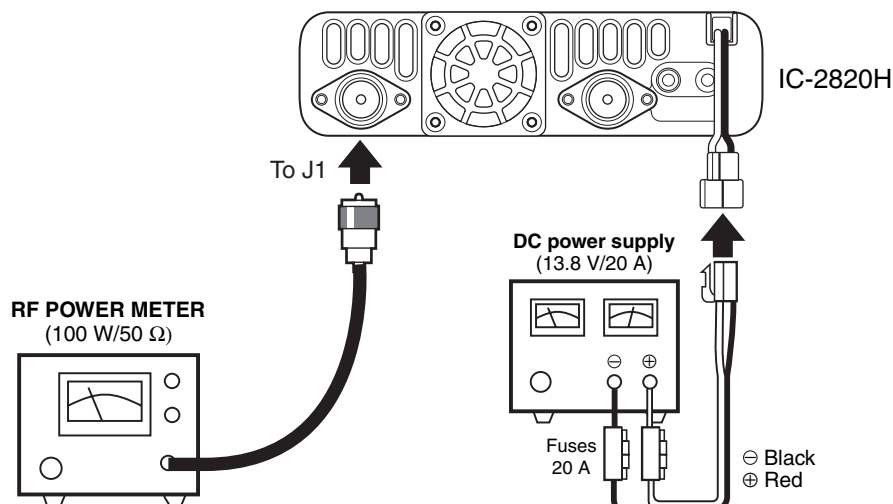


ADJUSTMENT		ADJUSTMENT CONDITIONS	OPERATION	VALUE
REFERENCE FREQUENCY (Left Band) [L REF]	1	<ul style="list-style-type: none"> Connect a Terminator to the antenna connector (J1). Loosely couple a Frequency Counter to the antenna connector (J1). Transmitting 	Rotate the right band's [DIAL] to adjust the reference frequency, then push the right band's [MAIN •BAND] key.	146.000 MHz
(Right Band) [R REF]	2			435.000 MHz [others] 445.000 MHz [USA-01]

5-3 TRANSMIT ADJUSTMENTS

■ TRANSMIT OUTPUT POWER ADJUSTMENT

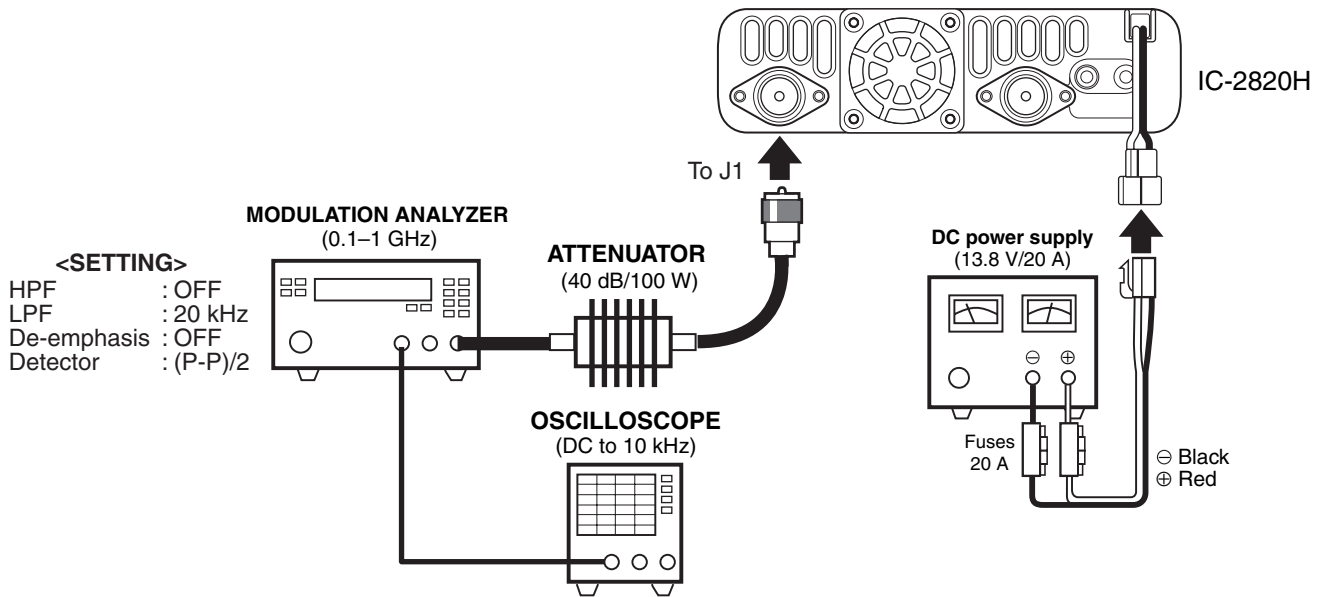
• CONNECTIONS FOR TX POWER ADJUSTMENT

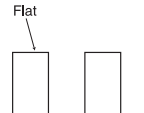


ADJUSTMENT ITEM		ADJUSTMENT CONDITIONS		OPERATION	VALUE	
144 MHz BAND TRANSMIT OUTPUT POWER (HI POWER)	(Band Low) [L PHL]	1	<ul style="list-style-type: none"> Connect an RF Power Meter to the antenna connector (J1). Transmitting 	Rotate the right band's [DIAL] to adjust the transmit output power, then push the right band's [MAIN •BAND] key during transmit.	50 W	
	(Band High) [L PHH]	2				
	(MID POWER)	(Band Low) [L PML]			3	15 W [others] 22 W [TPE-01]
		(Band High) [L PMH]			4	
	(LOW POWER)	(Band Low) [L PLL]			5	5 W
		(Band High) [L PLH]			6	
430 MHz BAND TRANSMIT OUTPUT POWER (HI POWER)	(Band Low) [R PHL]	1	<ul style="list-style-type: none"> Connect an RF Power Meter to the antenna connector (J1). Transmitting 	Rotate the right band's [DIAL] to adjust the transmit output power, then push the right band's [MAIN •BAND] key during transmit.	50 W	
	(Band High) [R PHH]	2				
	(MID POWER)	(Band Low) [R PML]			3	15 W [others] 22 W [TPE-01]
		(Band High) [R PMH]			4	
	(LOW POWER)	(Band Low) [R PLL]			5	5 W
		(Band High) [R PHH]			6	

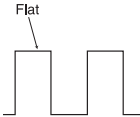
■ DEVIATION ADJUSTMENT

• CONNECTION FOR MODULATION ADJUSTMENTS



ADJUSTMENT ITEM		ADJUSTMENT CONDITIONS		OPERATION	VALUE	
144 MHz BAND DEVIATION (Left Band)	(Band Low)	(FM) [L FMD]	1	<ul style="list-style-type: none"> Connect a Modulation Analyzer to the antenna connector (J1) through an attenuator. Connect an Audio Generator to the JIG cable (See the page 5-1 for the connector and setting details). Transmitting 	Rotate the right band's [DIAL] to adjust the deviation, then push the right band's [MAIN•BAND] key during transmit.	±4.2 kHz
		(FM-N) [L FMD]	2			±2.1 kHz
	(Band Center)	(FM) [L FMD]	3			±4.2 kHz
		(FM-N) [L FMD]	4			±2.1 kHz
	(Band High)	(FM) [L FMD]	5			±4.2 kHz
		(FM-N) [L FMD]	6			±2.1 kHz
144 MHz BAND MODULATION BALANCE (Left Band)	(Band Low)	(FM) [L FMB]	1	<ul style="list-style-type: none"> Connect a Modulation Analyzer to the antenna connector (J1) through an attenuator. Connect an oscilloscope to the detector terminal of the Modulation Analyzer. No audio signals are applied to the JIG cable (See the page 5-1). Transmitting 	Rotate the right band's [DIAL] to adjust the wave form, then push the right band's [MAIN•BAND] key during transmit.	(Square Wave form) Flat 
		(FM-N) [L FMB]	2			
	(Band Center)	(FM) [L FMB]	3			
		(FM-N) [L FMB]	4			
	(Band High)	(FM) [L FMB]	5			
		(FM-N) [L FMB]	6			
144 MHz BAND DTCS MODULATION (Left Band)	(FM) [L MDT]	1	<ul style="list-style-type: none"> Connect a Modulation Analyzer to the antenna connector (J1) through an attenuator. No audio signals are applied to the JIG cable (See the page 5-1). Transmitting 	Rotate the right band's [DIAL] to adjust the deviation, then push the right band's [MAIN•BAND] key.	±0.8 kHz	
	(FM-N) [L MDT]	2				
144 MHz CTCSS MODULATION (Left Band)	(FM) [L MCT]	1	<ul style="list-style-type: none"> Connect a Modulation Analyzer to the antenna connector (J1) through an attenuator. No audio signals are applied to the JIG cable (See the page 5-1). Transmitting 	Rotate the right band's [DIAL] to adjust the deviation, then push the right band's [MAIN•BAND] key.	±0.75 kHz	
	(FM-N) [L MCT]	2				

DEVIATION ADJUSTMENT (continued)

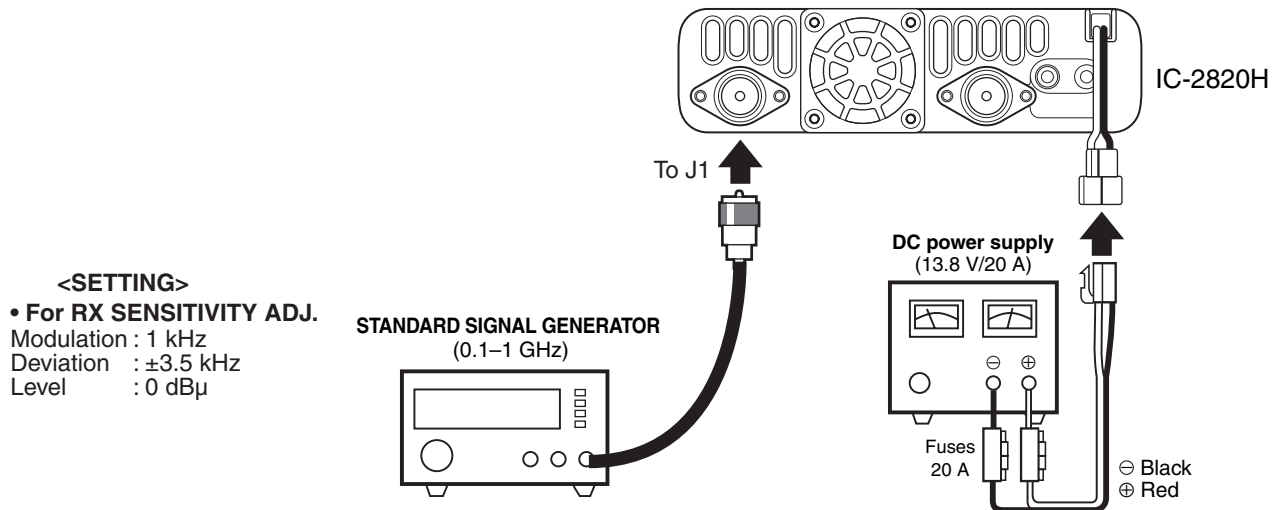
ADJUSTMENT ITEM			ADJUSTMENT CONDITIONS	OPERATION	VALUE	
430 MHz DEVIATION (Right Band)	(Band Low)	(FM) [R FMD]	1	<ul style="list-style-type: none"> Connect a Modulation Analyzer to the antenna connector (J1) through an attenuator. Connect an Audio Generator to the JIG cable (See the page 5-1 for the connector and setting details). Transmitting 	Rotate the right band's [DIAL] to adjust the deviation, then push the right band's [MAIN•BAND] key during transmit.	±4.2 kHz
		(FM-N) [R FMD]	2			±2.1 kHz
	(Band Center)	(FM) [R FMD]	3			±4.2 kHz
		(FM-N) [R FMD]	4			±2.1 kHz
	(Band High)	(FM) [R FMD]	5			±4.2 kHz
		(FM-N) [R FMD]	6			±2.1 kHz
430 MHz MODULATION BALANCE (Right Band)	(Band Low)	(FM) [R FMB]	1	<ul style="list-style-type: none"> Connect a Modulation Analyzer to the antenna connector (J1) through an attenuator. No audio signals are applied to the JIG cable (See the page 5-1). Transmitting 	Rotate the right band's [DIAL] to adjust the wave form, then push the right band's [MAIN•BAND] key during transmit.	(Square Wave form) 
		(FM-N) [R FMB]	2			
	(Band Center)	(FM) [R FMB]	3			
		(FM-N) [R FMB]	4			
	(Band High)	(FM) [R FMB]	5			
		(FM-N) [R FMB]	6			
430 MHz DTCS MODULATION (Right Band)	(FM) [R MDT]	1	<ul style="list-style-type: none"> Connect a Modulation Analyzer to the antenna connector (J1) through an attenuator. No audio signals are applied to the JIG cable (See the page 5-1). Transmitting 	Rotate the right band's [DIAL] to adjust the deviation, then push the right band's [MAIN•BAND] key.	±0.8 kHz	
	(FM-N) [R MDT]	2				
430 MHz CTCSS MODULATION (Right Band)	(FM) [R MCT]	1	<ul style="list-style-type: none"> Connect a Modulation Analyzer to the antenna connector (J1) through an attenuator. No audio signals are applied to the JIG cable (See the page 5-1). Transmitting 	Rotate the right band's [DIAL] to adjust the deviation, then push the right band's [MAIN•BAND] key.	±0.75 kHz	
	(FM-N) [R MCT]	2				
DV MODE DEVIATION* (144 MHz Band)	(Band Low)	[L MDS]	1	<ul style="list-style-type: none"> Connect a Modulation Analyzer to the antenna connector (J1) through an attenuator. Transmitting 	Rotate the right band's [DIAL] to adjust the deviation, then push the right band's [MAIN•BAND] key during transmit.	±0.9 kHz
	(Band Center)	[L MDS]	2			
	(Band High)	[L MDS]	3			
DV MODE MODULATION BALANCE* (144 MHz Band)	(Band Low)	[L MDB]	1	<ul style="list-style-type: none"> Connect a Modulation Analyzer to the antenna connector (J1) through an attenuator. Transmitting 	Rotate the right band's [DIAL] to adjust the wave form, then push the right band's [MAIN•BAND] key during transmit.	Minimum deviation
	(Band Center)	[L MDB]	2			
	(Band High)	[L MDB]	3			
DV MODE DEVIATION* (430 MHz Band)	(Band Low)	[R MDS]	1	<ul style="list-style-type: none"> Connect a Modulation Analyzer to the antenna connector (J1) through an attenuator. Transmitting 	Rotate the right band's [DIAL] to adjust the wave form, then push the right band's [MAIN•BAND] key during transmit.	±1 kHz
	(Band Center)	[R MDS]	2			
	(Band High)	[R MDS]	3			
DV MODE MODULATION BALANCE* (430 MHz Band)	(Band Low)	[R MDB]	1	<ul style="list-style-type: none"> Connect a Modulation Analyzer to the antenna connector (J1) through an attenuator. Transmitting 	Rotate the right band's [DIAL] to adjust the wave form, then push the right band's [MAIN•BAND] key during transmit.	Minimum deviation
	(Band Center)	[R MDB]	2			
	(Band High)	[R MDB]	3			

*; Optional UT-123 is required.

5-4 RECEIVE ADJUSTMENTS

■ SENSITIVITY ADJUSTMENT

• CONNECTION FOR RECEIVE SENSITIVITY AND RSSI ADJUSTMENTS



ADJUSTMENT ITEM	ADJUSTMENT CONDITIONS		OPERATION	VALUE
SENSITIVITY	Connect a Standard Signal Generator to the antenna connector (J1).			
118.020 MHz	(Left Band) [L LT1]	1	• Set the SSG as; Frequency : 118.020 MHz	(Automatic adjustment)
	(Right Band) [R LT1]	2		
127.020 MHz	(Left Band) [L MT1]	3	• Set the SSG as; Frequency : 127.020 MHz	
	(Right Band) [R MT1]	4		
135.980 MHz	(Left Band) [L HT1]	5	• Set the SSG as; Frequency : 135.980 MHz	
	(Right Band) [R HT1]	6		
136.020 MHz	(Left Band) [L LT2]	7	• Set the SSG as; Frequency : 136.020 MHz	
	(Right Band) [R LH2]	8		
146.020 MHz	(Left Band) [L MT2]	9	• Set the SSG as; Frequency : 146.020 MHz	
	(Right Band) [R MT2]	10		
173.980 MHz	(Left Band) [L HT2]	11	• Set the SSG as; Frequency : 173.980 MHz	
	(Right Band) [R HT2]	12		
174.020 MHz	(Left Band) [L LT3]	13	• Set the SSG as; Frequency : 174.020 MHz	
220.020 MHz	(Left Band) [L MT3]	14	• Set the SSG as; Frequency : 220.020 MHz	
250.020 MHz	(Left Band) [L HT3]	15	• Set the SSG as; Frequency : 250.020 MHz	
260.020 MHz	(Left Band) [L LT4]	16	• Set the SSG as; Frequency : 260.020 MHz	
310.020 MHz	(Left Band) [L MT4]	17	• Set the SSG as; Frequency : 310.020 MHz	
360.020 MHz	(Left Band) [L HT4]	18	• Set the SSG as; Frequency : 360.020 MHz	

■ SENSITIVITY ADJUSTMENT (continued)

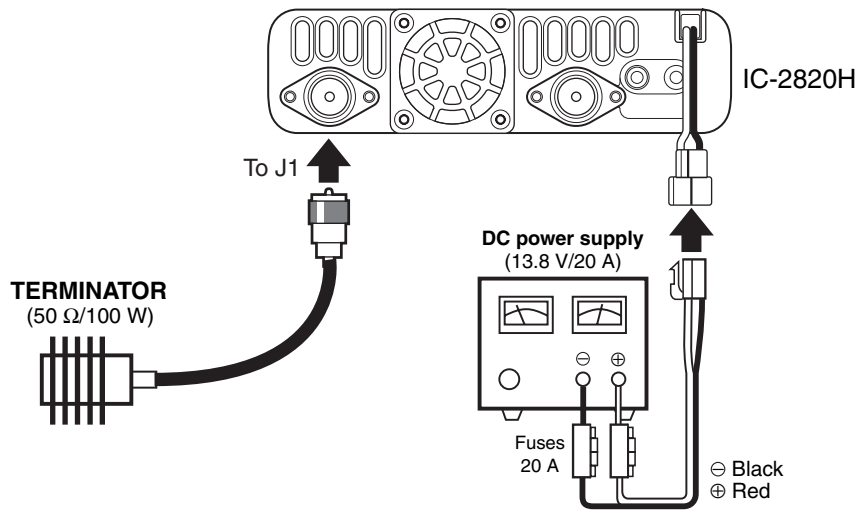
ADJUSTMENT ITEM				ADJUSTMENT CONDITIONS	OPERATION	VALUE
SENSITIVITY	375.020 MHz	(Left Band) [L LT5]	19	• Set the SSG as; Frequency : 375.020 MHz	Push the right band's [MAIN•BAND] key.	(Automatic adjustment)
		(Right Band) [R LT5]	20			
	399.980 MHz	(Left Band) [L HT5]	21	• Set the SSG as; Frequency : 399.980 MHz		
		(Right Band) [R HT5]	22			
	400.020 MHz	(Left Band) [L LT6]	23	• Set the SSG as; Frequency : 400.020 MHz		
		(Right Band) [R LT6]	24			
	440.020 MHz	(Left Band) [L MT6]	25	• Set the SSG as; Frequency : 440.020 MHz		
		(Right Band) [R MT6]	26			
	449.980 MHz	(Left Band) [L HT6]	27	• Set the SSG as; Frequency : 449.980 MHz		
		(Right Band) [R HT6]	28			
	450.020 MHz	(Left Band) [L LT7]	29	• Set the SSG as; Frequency : 450.020 MHz		
		(Right Band) [R LT7]	30			
	500.020 MHz	(Left Band) [L MT7]	31	• Set the SSG as; Frequency : 500.020 MHz		
		(Right Band) [R MT7]	32			
	549.980 MHz	(Left Band) [L HT7]	33	• Set the SSG as; Frequency : 549.980 MHz		
		(Right Band) [R HT7]	34			

■ S-METER ADJUSTMENT

ADJUSTMENT ITEM		ADJUSTMENT CONDITIONS		OPERATION	VALUE
S-METER	Connect a Standard Signal Generator to the antenna connector (J1).				
127.020 MHz (S3 level)	(Left Band) [L S31]	1	<ul style="list-style-type: none"> Set the SSG as; Frequency : 127.020 MHz Level : -1 dBμ 	Push the right band's [MAIN•BAND] key.	(Automatic adjustment)
	(Right Band) [R S31]	2			
(Full scale)	(Left Band) [L SF1]	3	<ul style="list-style-type: none"> Set the SSG as; Level : +15 dBμ 		
	(Right Band) [R SF1]	4			
146.020 MHz (S3 level)	(Left Band) [L S32]	5	<ul style="list-style-type: none"> Set the SSG as; Frequency : 146.020 MHz Level : -1 dBμ 		
	(Right Band) [R S32]	6			
(Full scale)	(Left Band) [L SF2]	7	<ul style="list-style-type: none"> Set the SSG as; Level : +15 dBμ 		
	(Right Band) [R SF2]	8			
220.020 MHz (S3 level)	(Left Band) [L S33]	9	<ul style="list-style-type: none"> Set the SSG as; Frequency : 220.020 MHz Level : -1 dBμ 		
	(Full scale)	(Left Band) [L SF3]			
300.020 MHz (S3 level)	(Left Band) [L S34]	11	<ul style="list-style-type: none"> Set the SSG as; Frequency : 300.020 MHz Level : -1 dBμ 		
	(Full scale)	(Left Band) [L SF4]			
387.020 MHz (S3 level)	(Left Band) [L S35]	13	<ul style="list-style-type: none"> Set the SSG as; Frequency : 387.020 MHz Level : -1 dBμ 		
	(Right Band) [R S35]	14			
(Full scale)	(Left Band) [L SF5]	15	<ul style="list-style-type: none"> Set the SSG as; Level : +15 dBμ 		
	(Right Band) [R SF5]	16			
435.020 MHz [others] 445.020 MHz [USA-01] (S3 level)	(Left Band) [L S36]	17	<ul style="list-style-type: none"> Set the SSG as; Frequency : 435.020 MHz [others] 445.020 MHz [USA-01] Level : -1 dBμ 		
	(Right Band) [R S36]	18			
(Full scale)	(Left Band) [L SF6]	19	<ul style="list-style-type: none"> Set the SSG as; Level : +15 dBμ 		
	(Right Band) [R SF6]	20			
500.020 MHz (S3 level)	(Left Band) [L S37]	21	<ul style="list-style-type: none"> Set the SSG as; Frequency : 500.020 MHz Level : -1 dBμ 		
	(Right Band) [R S37]	22			
(Full scale)	(Left Band) [L SF7]	23	<ul style="list-style-type: none"> Set the SSG as; Level : +15 dBμ 		
	(Right Band) [R SF7]	24			
910.020 MHz (S3 level)	(Left Band) [R S38]	25	<ul style="list-style-type: none"> Set the SSG as; Frequency : 910.020 MHz Level : -1 dBμ 		
	(Full scale)	(Right Band) [R SF8]			

■ SQUELCH ADJUSTMENT

• CONNECTION FOR SQUELCH ADJUSTMENT



ADJUSTMENT ITEM		OPERATION		VALUE	
SQUELCH	Connect a Terminator (50 Ω) to the antenna connector (J1).				
	127.020 MHz	(FM) [L SQ1]	1	Push the right band's [MAIN•BAND] key.	(Automatic adjustment)
		(FM) [R SQ1]	2		
		(FM-N) [L SQ1]	3		
		(FM-N) [R SQ1]	4		
	146.020 MHz	(FM) [L SQ2]	5		
		(FM) [R SQ2]	6		
		(FM-N) [L SQ2]	7		
		(FM-N) [R SQ2]	8		
	220.020 MHz	(FM) [L SQ3]	9		
		(FM-N) [L SQ3]	10		
	300.020 MHz	(FM) [L SQ4]	11		
		(FM-N) [L SQ4]	12		
	387.020 MHz	(FM) [L SQ5]	13		
		(FM) [R SQ5]	14		
		(FM-N) [L SQ5]	15		
		(FM-N) [R SQ5]	16		
	440.020 MHz	(FM) [L SQ6]	17		
		(FM) [R SQ6]	18		
		(FM-N) [L SQ6]	19		
(FM-N) [R SQ6]		20			

[MAIN UNIT]

Table with 5 columns: REF NO., ORDER NO., DESCRIPTION, M., H/V LOCATION. Contains 210 rows of component data.

[MAIN UNIT]

Table with 5 columns: REF NO., ORDER NO., DESCRIPTION, M., H/V LOCATION. Contains 210 rows of component data.

M.=Mounted side (T: Mounted on the Top side, B: Mounted on the Bottom side)

for free by unit

[MAIN UNIT]

REF NO.	ORDER NO.	DESCRIPTION	M.	H/V LOCATION
EP40	6910018460	S.BEA MMZ1005Y102C-T	B	127.7/36.8
EP41	6910018460	S.BEA MMZ1005Y102C-T	B	127.7/34.1
EP42	6910018460	S.BEA MMZ1005Y102C-T	B	127.7/35.9
EP43	6910018460	S.BEA MMZ1005Y102C-T	B	127.7/33.2
EP47	6910018460	S.BEA MMZ1005Y102C-T	T	45.7/57.9
EP48	6910018460	S.BEA MMZ1005Y102C-T	T	91/61.3
EP49	6910014690	S.BEA MPZ1608S221A-T	T	121.3/152.3
EP50	6910014690	S.BEA MPZ1608S221A-T	T	109.4/155.1
EP51	6910018460	S.BEA MMZ1005Y102C-T	T	119.3/144.2
EP52	6910014690	S.BEA MPZ1608S221A-T	T	128.6/143.6
EP53	6910014690	S.BEA MPZ1608S221A-T	T	126.3/144.3
EP54	6910014690	S.BEA MPZ1608S221A-T	T	113.9/138.9
EP55	6910014690	S.BEA MPZ1608S221A-T	T	108.6/147.8
EP56	6910018460	S.BEA MMZ1005Y102C-T	B	119.3/38.5
EP57	6910018460	S.BEA MMZ1005Y102C-T	B	119.3/37.6
EP58	6910018460	S.BEA MMZ1005Y102C-T	B	119.3/36.7
EP59	6910014690	S.BEA MPZ1608S221A-T	B	117.2/36.3
EP60	6910014690	S.BEA MPZ1608S221A-T	B	117.2/35.1
EP61	6910018460	S.BEA MMZ1005Y102C-T	B	119.3/34.3
EP62	6910018460	S.BEA MMZ1005Y102C-T	B	119.3/33.4
EP63	6910018460	S.BEA MMZ1005Y102C-T	B	119.3/32.5
EP64	6910018460	S.BEA MMZ1005Y102C-T	B	119.3/31.6
EP66	6910018460	S.BEA MMZ1005Y102C-T	B	127.7/35
EP68	6910018460	S.BEA MMZ1005Y102C-T	B	41.6/14.3
EP69	6910018460	S.BEA MMZ1005Y102C-T	T	52.6/10.4
EP70	6910018460	S.BEA MMZ1005Y102C-T	T	45/8
EP71	6910012350	S.BEA MMZ1608Y 102BT	T	47.5/130.7

[VR1 UNIT]

REF NO.	ORDER NO.	DESCRIPTION	M.	H/V LOCATION
R1	7210003250	VAR RV-320 (RK097221005H)		
W1	8900016030	CBL OPC-1666 <TJM>		

[VR2 UNIT]

REF NO.	ORDER NO.	DESCRIPTION	M.	H/V LOCATION
R1	7210003250	VAR RV-320 (RK097221005H)		
W1	8900016030	CBL OPC-1666 <TJM>		

M.=Mounted side (T: Mounted on the Top side, B: Mounted on the Bottom side)
S.=Surface mount

SECTION 7

MECHANICAL PARTS

[CHASSIS PARTS]

REF NO.	ORDER NO.	DESCRIPTION	QTY.
J1	6510004880	MR-DSE-01	1
J2	6510004880	MR-DSE-01	1
P1	6510009580	ZHR-2	1
SP1	2510001160	057P0802	1
MF1	2710000820	EFB0412VHD-6P38	1
W1	9016420020	23/04/140/B09/W01	1
W2	9016420010	23/00/140/B09/W01	1
MP1	8010020640	2969 CHASSIS	1
MP2	8210023550	2969 CHASSIS PANEL	1
MP3	8310068650	2969 MAGNET PLATE	1
MP5	8110009000	2969 U-COVER	1
MP6	8110009010	2969 L-COVER	1
MP7	8110009020	2969 FAN COVER	1
MP8	8930071460	2969 SP SPONGE	1
MP9	8930071380	2969 IC CLIP	1
MP10	8810009611	Screw M2.6X6 ZK3	17
MP12	8810008661	Screw BT B0 3X8 NI-ZC3 (BT)	11
MP13	8810008661	Screw BT B0 3X8 NI-ZC3 (BT)	4
MP14	8810008661	Screw BT B0 3X8 NI-ZC3 (BT)	4
MP15	8810009991	Screw BT B0 3X8 NI-ZK3 (BT)	5
MP16	8810010141	Screw PH M3X30 ZK3	4
MP18	8930014980	59 saran net	1
MP19	8930072260	2969 NET	1
MP20	8930071590	THERMALLY SHEET (BI)	1
MP36	8930016800	Thermal sheet (U)	1

[CONTROL UNIT]

REF NO.	ORDER NO.	DESCRIPTION	QTY.
J5	6510025730	HJC0187-010024	1
DS1	5030003040	M6-0103TRM-5	1
S15	2250000570	SW-169	1
S16	2250000570	SW-169	1
MP1	8210023490	2969 FRONT PANEL	1
MP2	8210023500	2969 REAR PANEL	1
MP3	8310068780	2969 WINDOW PLATE (B)	1
MP4	8310068550	2969 WINDOW LINE	1
MP5	8310068560	2969 SUB RING	2
MP6	8310068570	2969 MAIN RING	2
MP7	8610013060	KNOB K-263	1
MP8	8610013070	KNOB K-263 (A)	1
MP9	8610013030	KNOB N-353	2
MP10	8610013040	KNOB N-354	2
MP11	8610013050	KNOB N-355	2
MP12	8310068600	2969 KNOB PLATE	2
MP13	8610011310	KNOB K-229	2
MP14	8610013100	KNOB K-229 (J)	2
MP15	8610013080	KNOB K-229 (K)	1
MP16	8610013090	KNOB K-229 (L)	1
MP17	8610013110	KNOB K-229 (M)	1
MP18	8210023540	2969 REFLECTOR	1
MP19	8930071250	2969 WINDOW SHEET	1
MP20	8930071430	2969 KEY SPONGE	1
MP21	8930071410	2969 KEY SHEET	1
MP23	8930006440	Push spring (F)	2
MP25	8830003020	bit insert SB-264540-CD	2
MP26	8610007510	knob spring NO.7800	2
MP27	8610007420	knob spring NO.6601	2
MP28	8830001010	HEX NUT (A)	2
MP29	8810009221	Screw BT B0 2X8 NI-ZK3 (BT)	8
MP30	8810009611	Screw M2.6X6 ZK3	2
MP40	8930071860	2969 LCD PLATE	1
MP41	8930072030	2969 LCD FILTER	1
MP42	8930072020	2969 LCD SHEET	1
MP44	8930072050	2969 RBEF SHEET	1

[VR1 UNIT]

REF NO.	ORDER NO.	DESCRIPTION	QTY.
R1	7210003250	RV-320	1
W1	8900016030	OPC-1666	1

[VR2 UNIT]

REF NO.	ORDER NO.	DESCRIPTION	QTY.
R1	7210003250	RV-320	1
W1	8900016030	OPC-1666	1

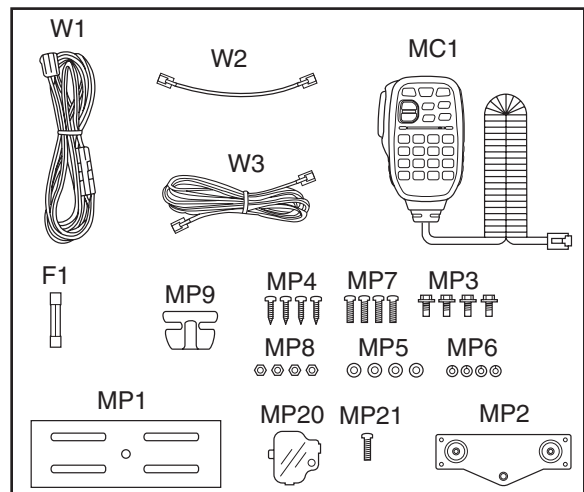
[MAIN UNIT]

REF NO.	ORDER NO.	DESCRIPTION	QTY.
J2	6510023110	3008L-8P8C	1
J3	6510025950	PCB-606 (6P6C)	1
J4	6510023161	DN-508B-6-L	1
J5	6450001430	HSJ1462-01-010	1
J8	6510025940	PJ-3047S	1
J9	6450001440	HSJ1403-01-010	1
W1	8900016070	OPC-1669	1
W2	8900016070	OPC-1669	1
W5	7120000470	ERDS2T0	1
W6	7120000470	ERDS2T0	1
W7	8900016020	OPC-1671	1
MP2*	8510018150	2969 B-VCO CASE	1
MP3*	8510014940	2601 VCO CASE	1
MP4*	8510018150	2969 B-VCO CASE	1
MP5*	8510014940	2601 VCO CASE	1
MP6*	8510016470	2775 VCO CASE	1
MP7*	8510016470	2775 VCO CASE	1
MP8*	8510018140	2969 S-VCO CASE	1
MP9*	8510018140	2969 S-VCO CASE	1
MP10	8510018160	2969 B-VCO COVER	2
MP11	8510014950	2601 VCO COVER	2
MP12	8510016460	2775 VCO COVER	2
MP13	8510016460	2775 VCO COVER	2
MP14	8930060270	2633 M-SHEET	2
MP15	8930059770	2633 M-HOLDER	2

*: Refer to SECTION 8 BOARD LAYOUTS.

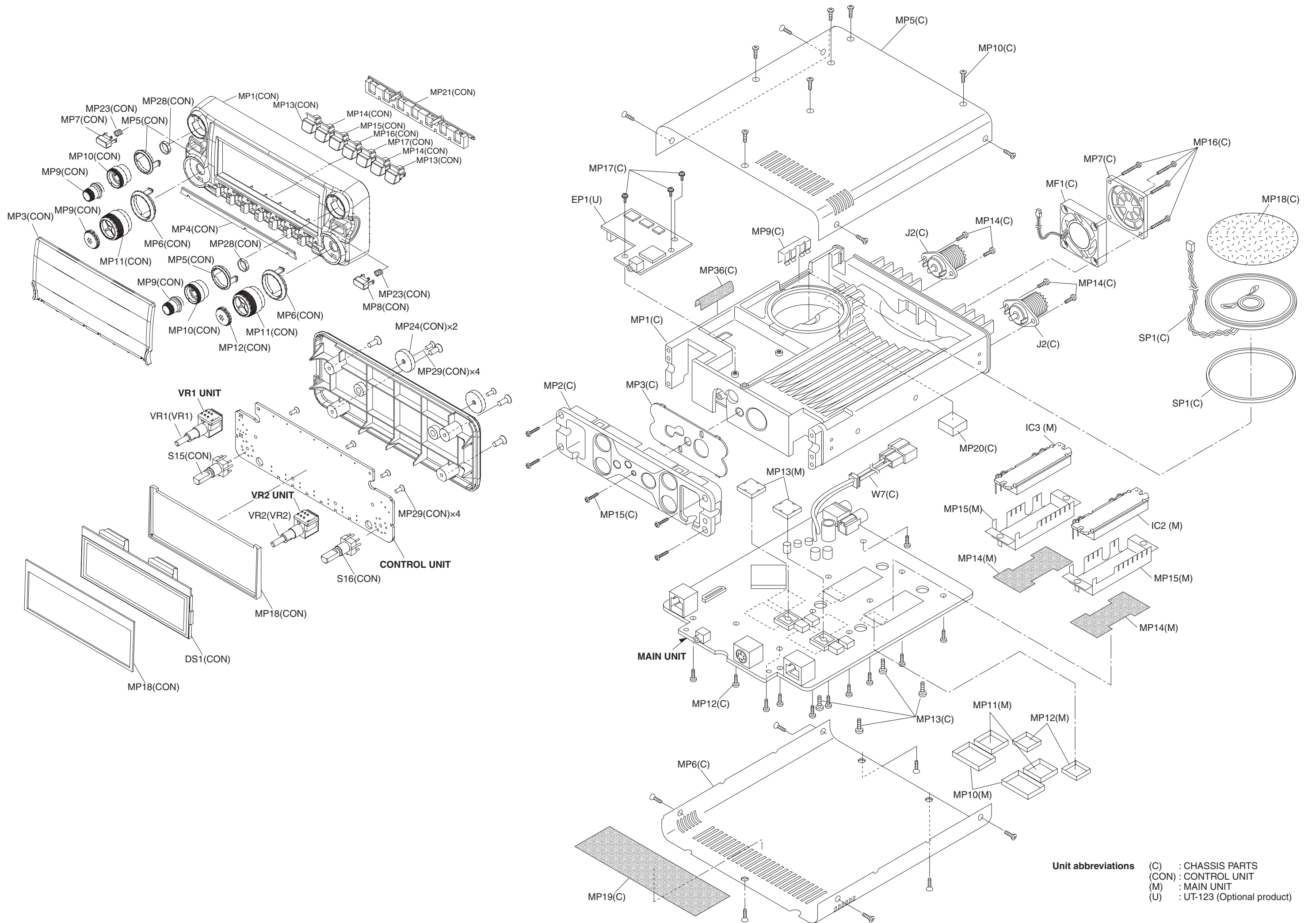
[ACCESSORIES]

REF NO.	ORDER NO.	DESCRIPTION	QTY.
MC1	Optional	HM-133	1
F1	5210000080	FGB 20A	1
W1	Optional	OPC-1132	1
W2	8900016370	OPC-1712	1
W3	8900016050	OPC-1663	1
MP1	8010016730	150 MOBIL BRACKET (SI)	1
MP2	8930041170	452 FELT (SI)	2
MP3	8820000530	Flange bolt M4X8 NI	4
MP4	8810000951	Screw BT A0 5X16 ZC3	4
MP5	8850000180	Flat washer M5 SUS	4
MP6	8850000500	S-washer M5 SUS	4
MP7	8810000471	Screw PH (+-) M5X12 ZC3	4
MP8	8830000250	Nut M5 SUS	4
MP9	8930007300	MIC hanger	1
MP20	8310068640	2969 CHASSIS PLATE	1
MP21	8810009611	Screw M2.6X6 ZK3	1
MP22	8010020830	2969 BRACKET	1



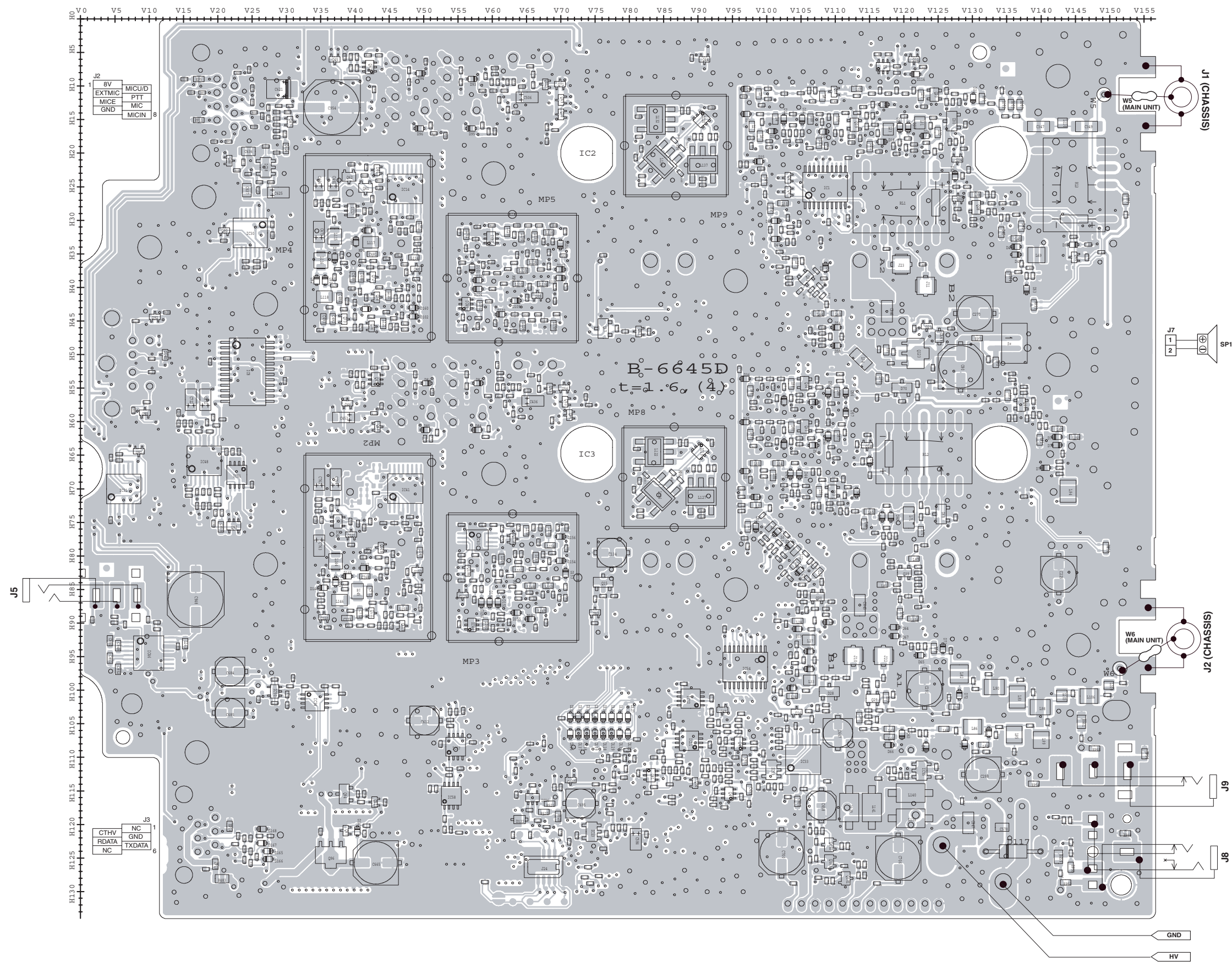
Screw abbreviations

A, B0, BT: Self-tapping PH: Pan head ZK: Black NI-ZU: Nickel-Zinc SUS: Stainless

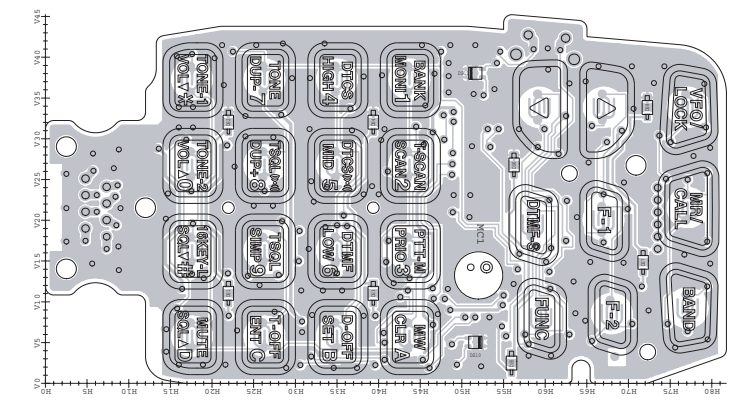


Unit abbreviations
 (C) : CHASSIS PARTS
 (CON) : CONTROL UNIT
 (M) : MAIN UNIT
 (U) : UT-123 (Optional product)

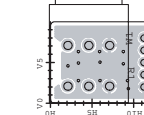
• MAIN UNIT (TOP VIEW)



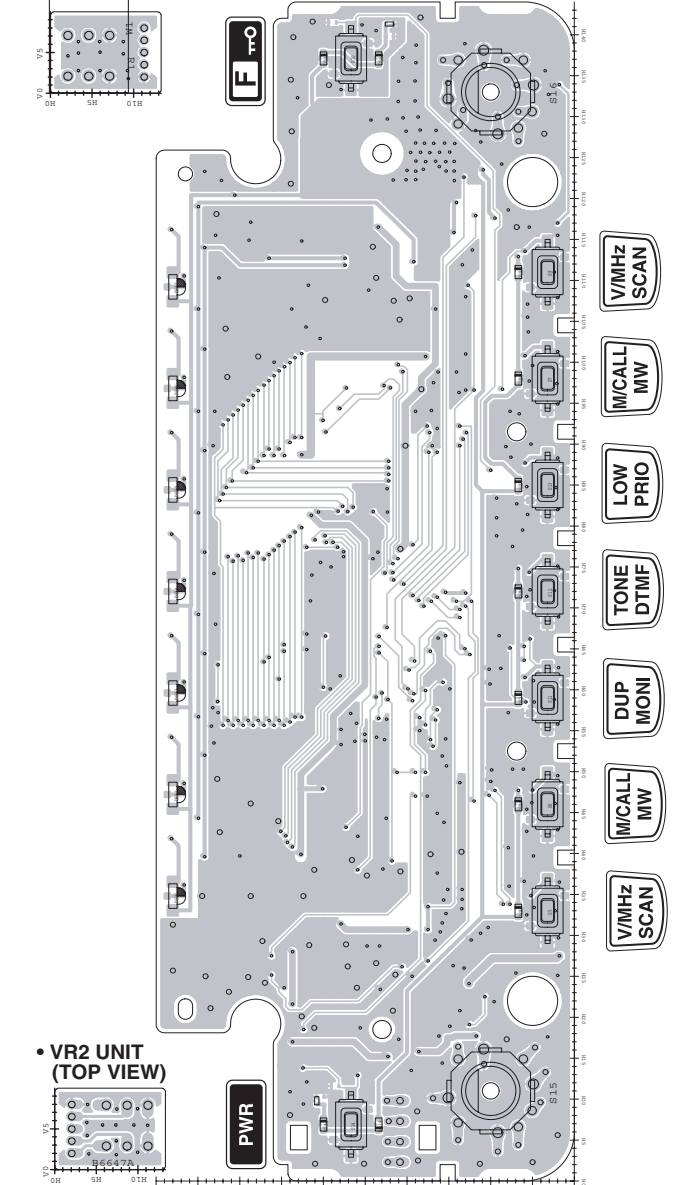
• HM-133 (TOP VIEW)



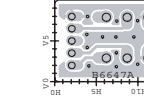
• VR1 UNIT (TOP VIEW)



• CONTROL UNIT (TOP VIEW)

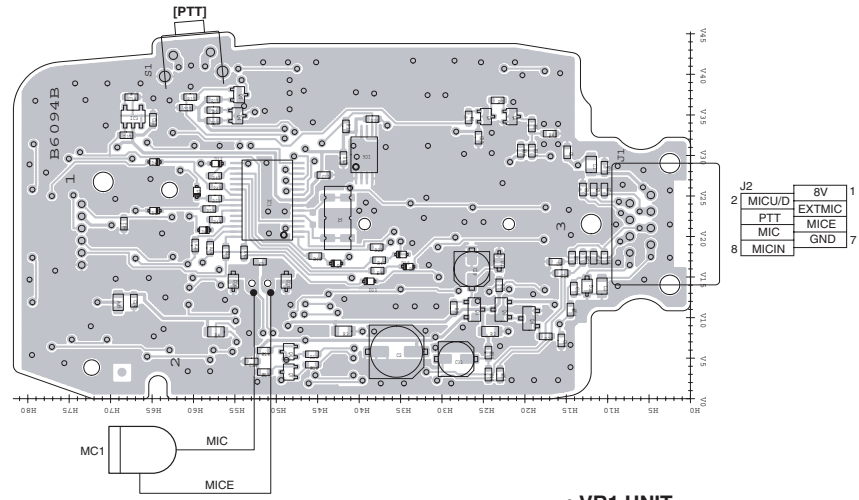


• VR2 UNIT (TOP VIEW)

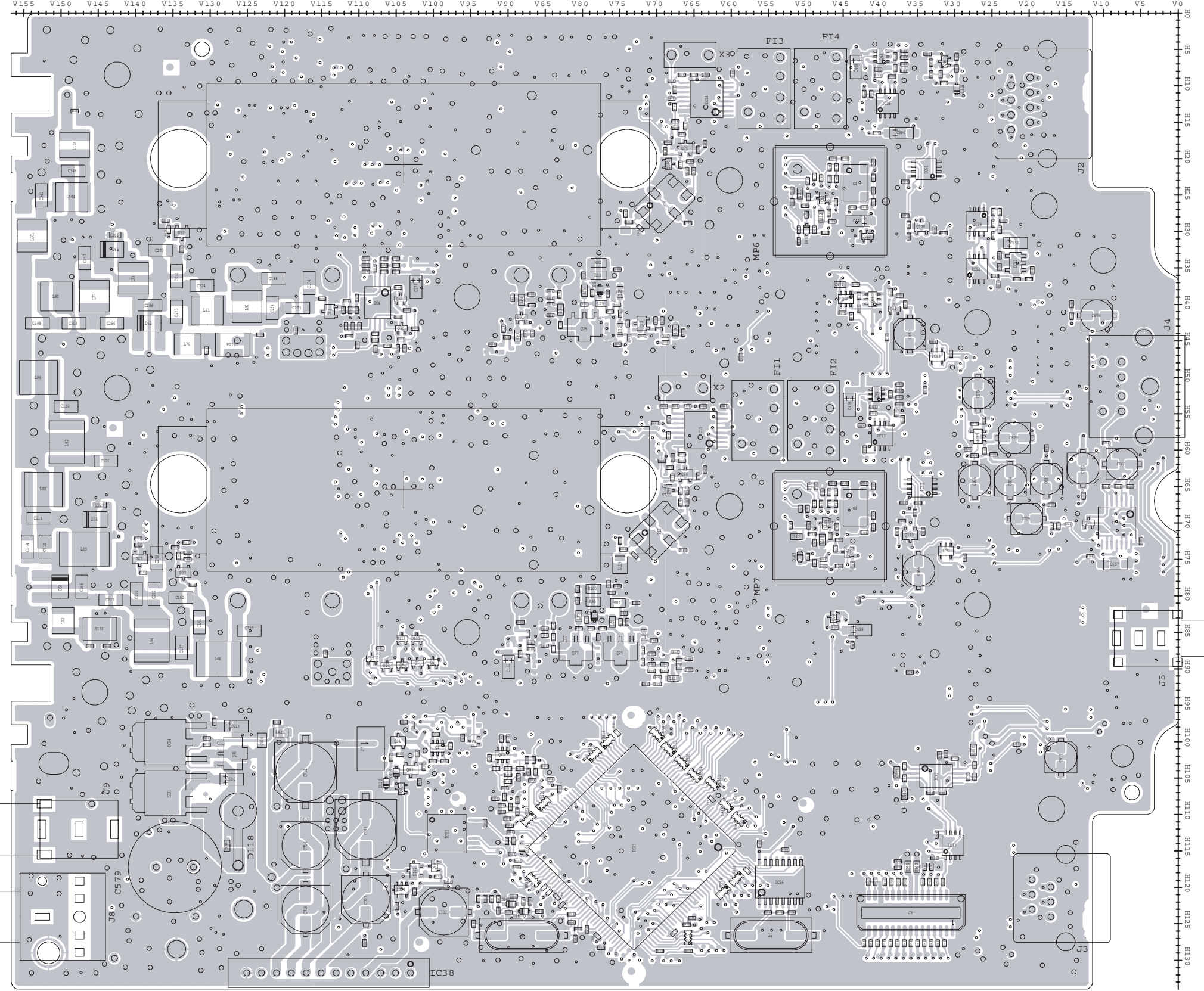


The combination of this side and the bottom side shows the board layout in the same configuration as the actual P.C.Board.

• HM-133 (BOTTOM VIEW)

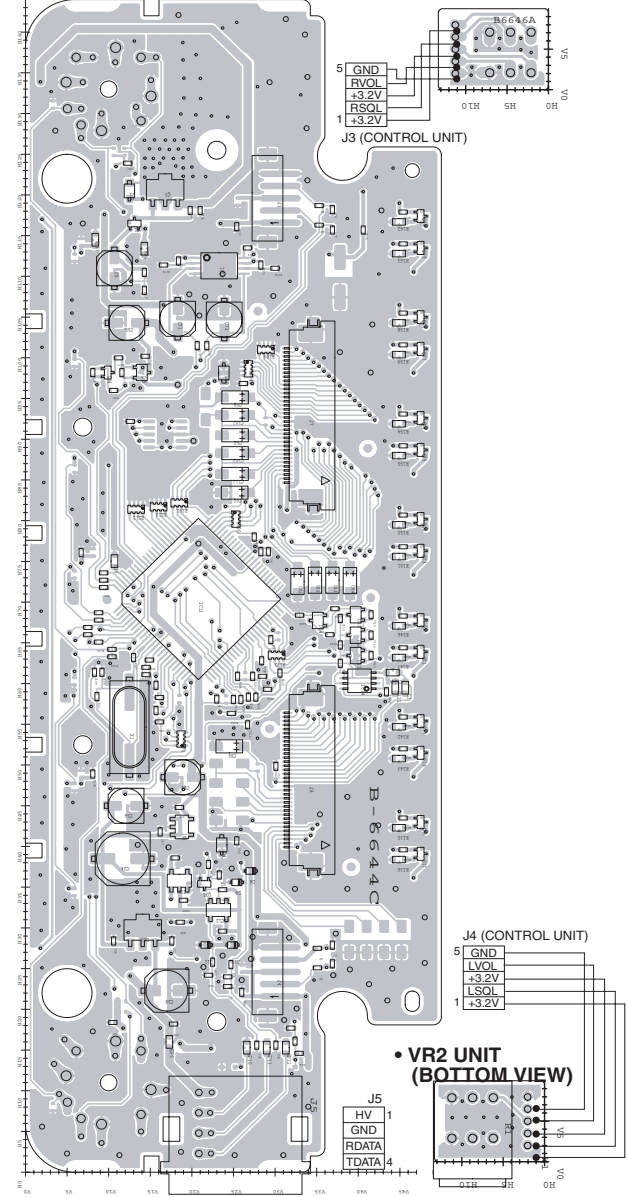


• MAIN UNIT (BOTTOM VIEW)

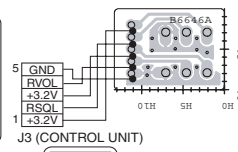


30	GND	NC	J6
29	NC	NC	1
28	B70NE	AMBERXD	
27	DATAOUT	AMBERXD	
26	AF	DVC	
25	DMOD	AOQ	
24	OPV	TXOK	
23	AMBERIN	TXOK	
22	AMBERIN	RXOK	
21	AMBERIN	DOEL	
20	AMBERLK	CRJUV	
19	GND	GP-50PT	
18	GPSTX00	GPRESSET	
17	GP-5RX00	GP-5RX0T	15

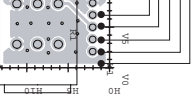
• CONTROL UNIT (BOTTOM VIEW)



• VR1 UNIT (BOTTOM VIEW)



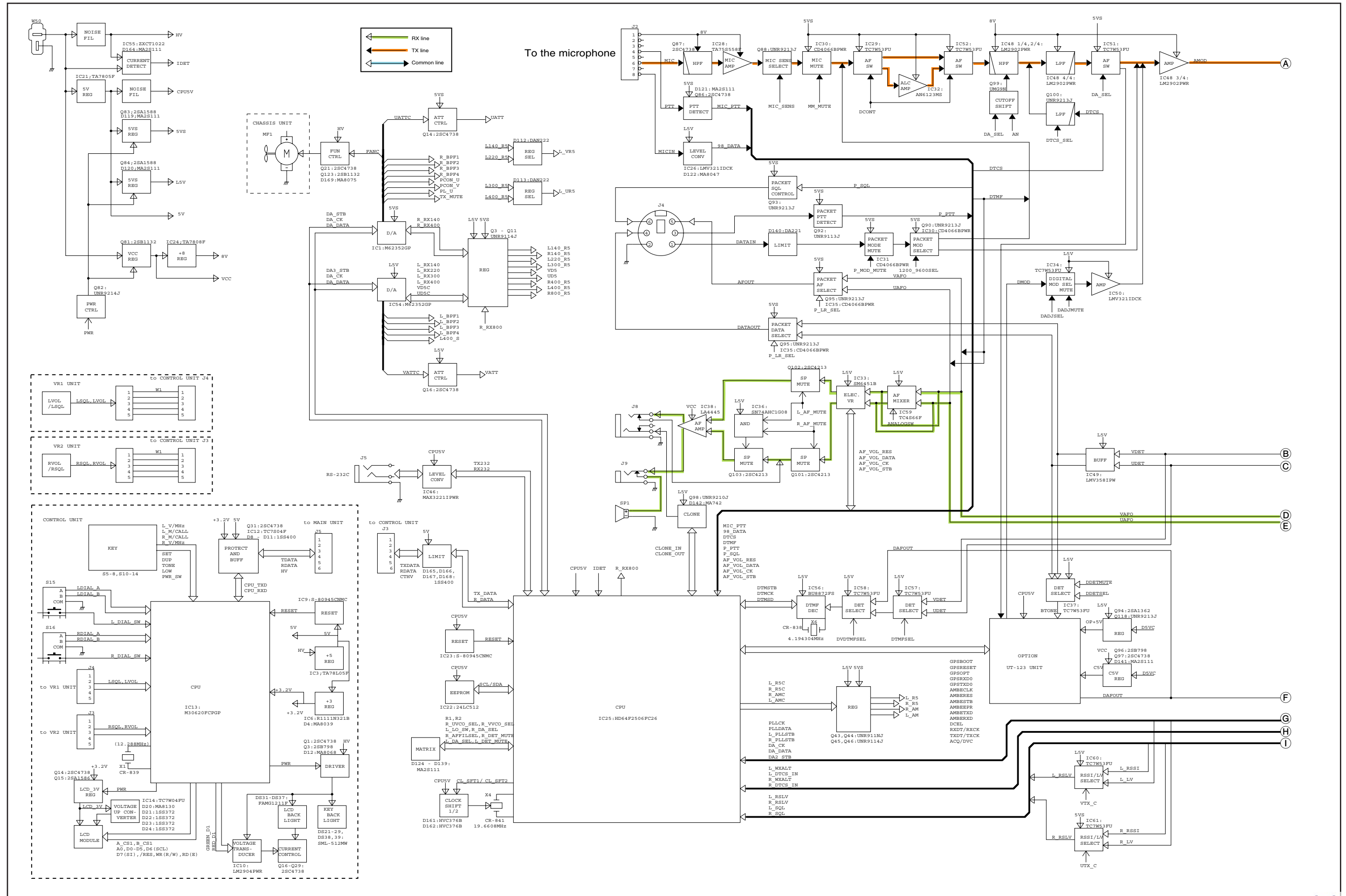
• VR2 UNIT (BOTTOM VIEW)



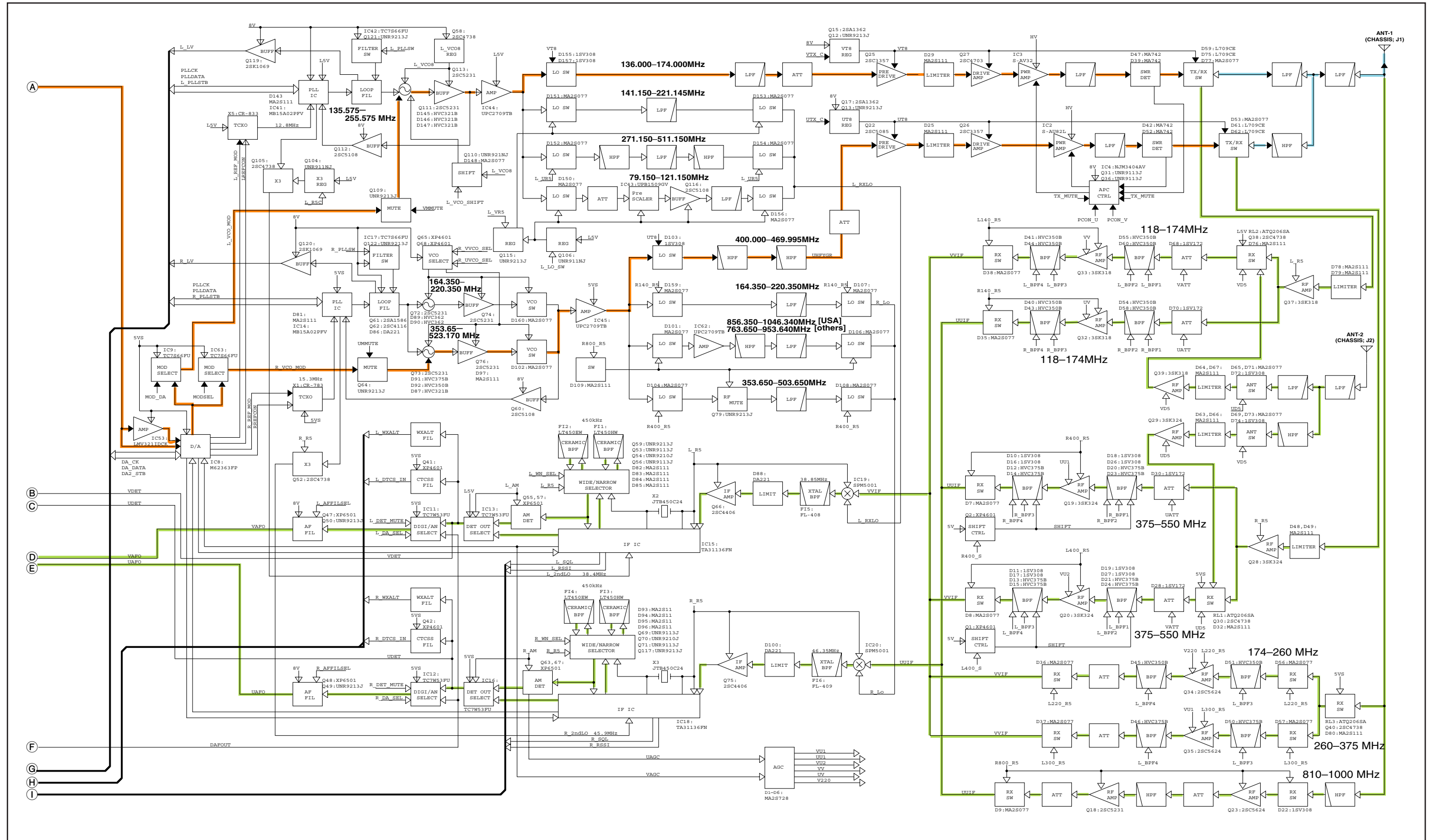
SECTION 9

BLOCK DIAGRAM

• BLOCK DIAGRAM (Left side)



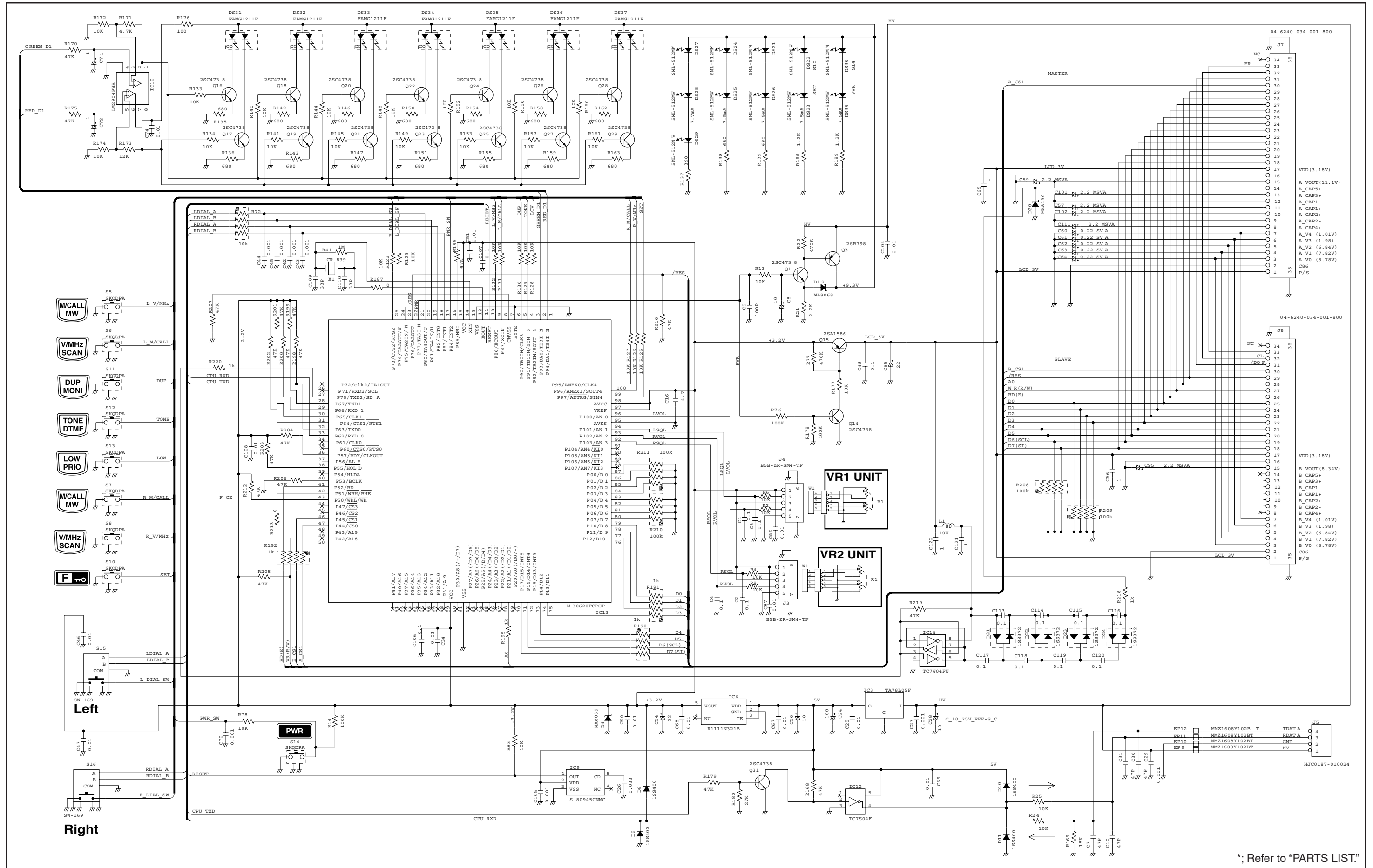
• BLOCK DIAGRAM (Right side)



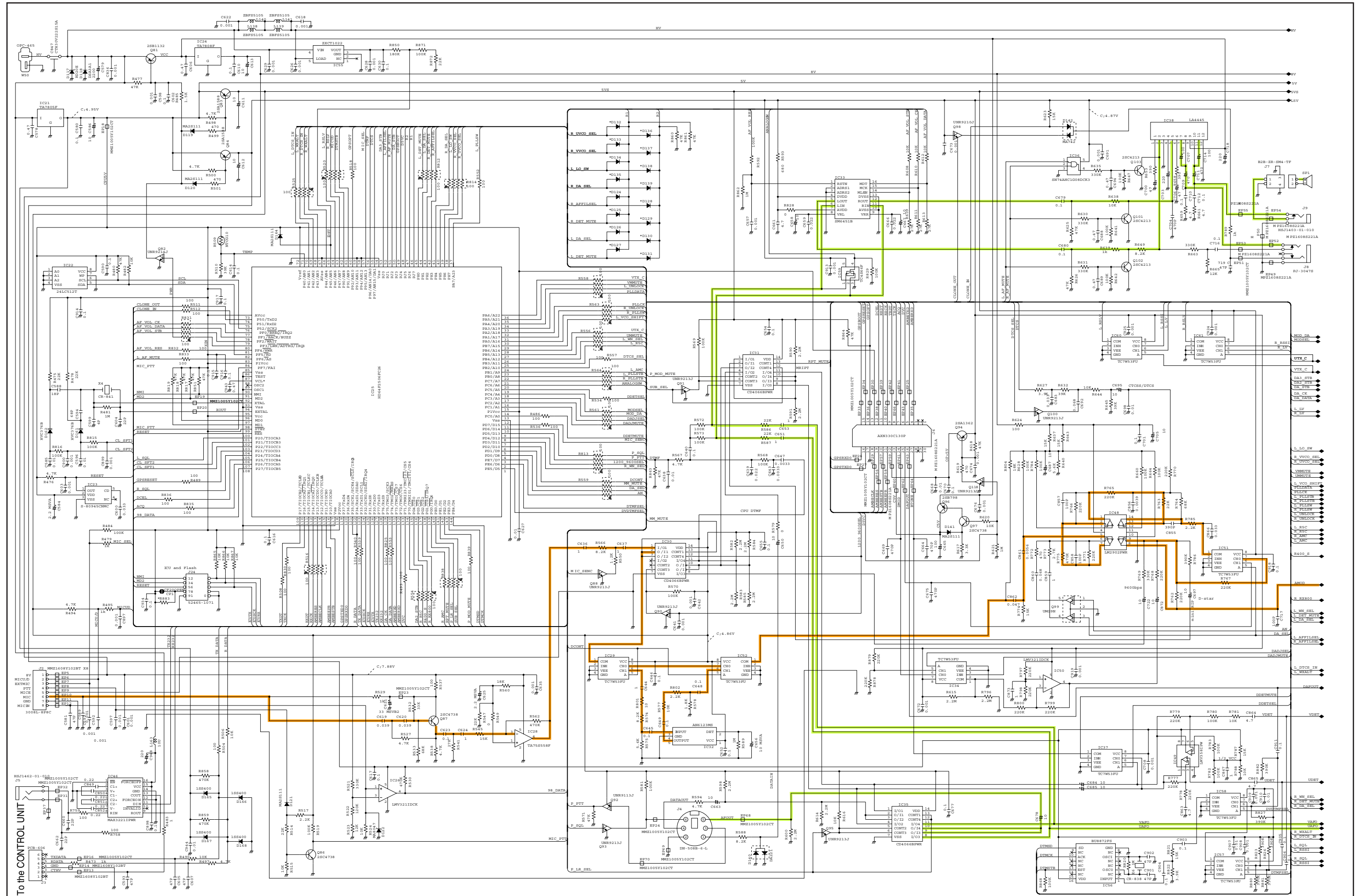
SECTION 10

VOLTAGE DIAGRAM

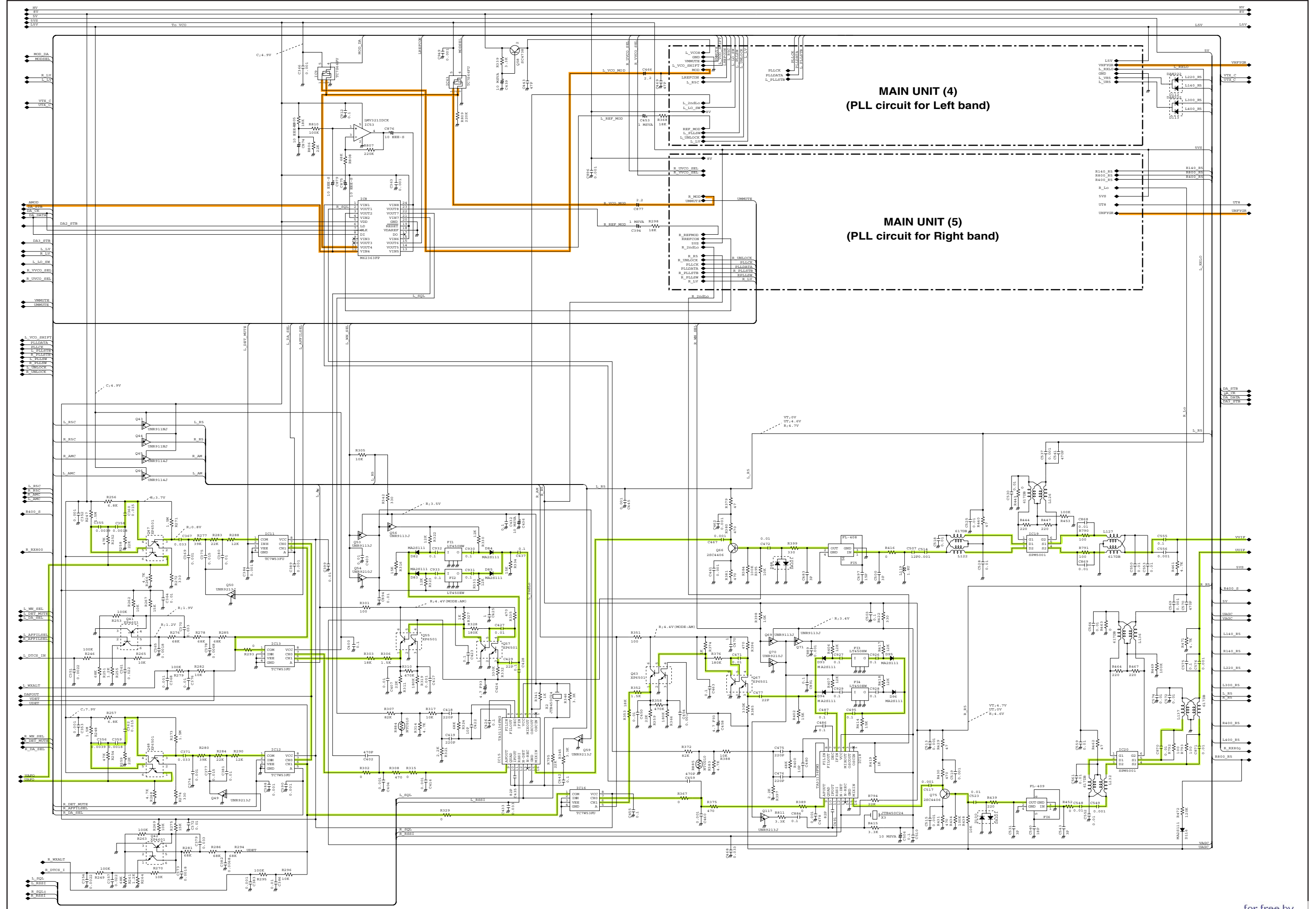
10-1 CONTROL UNIT



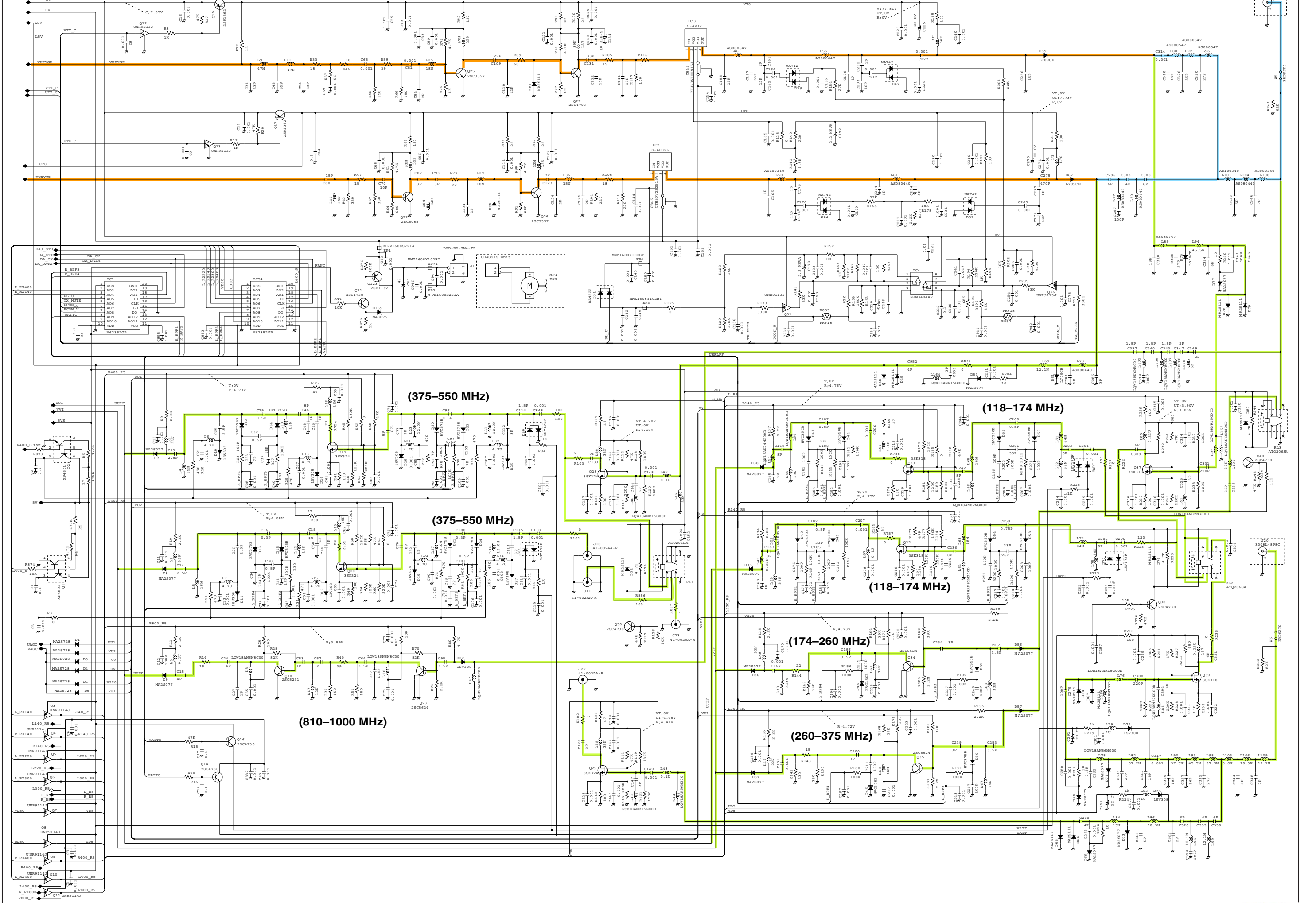
10-2 MAIN UNIT (1)

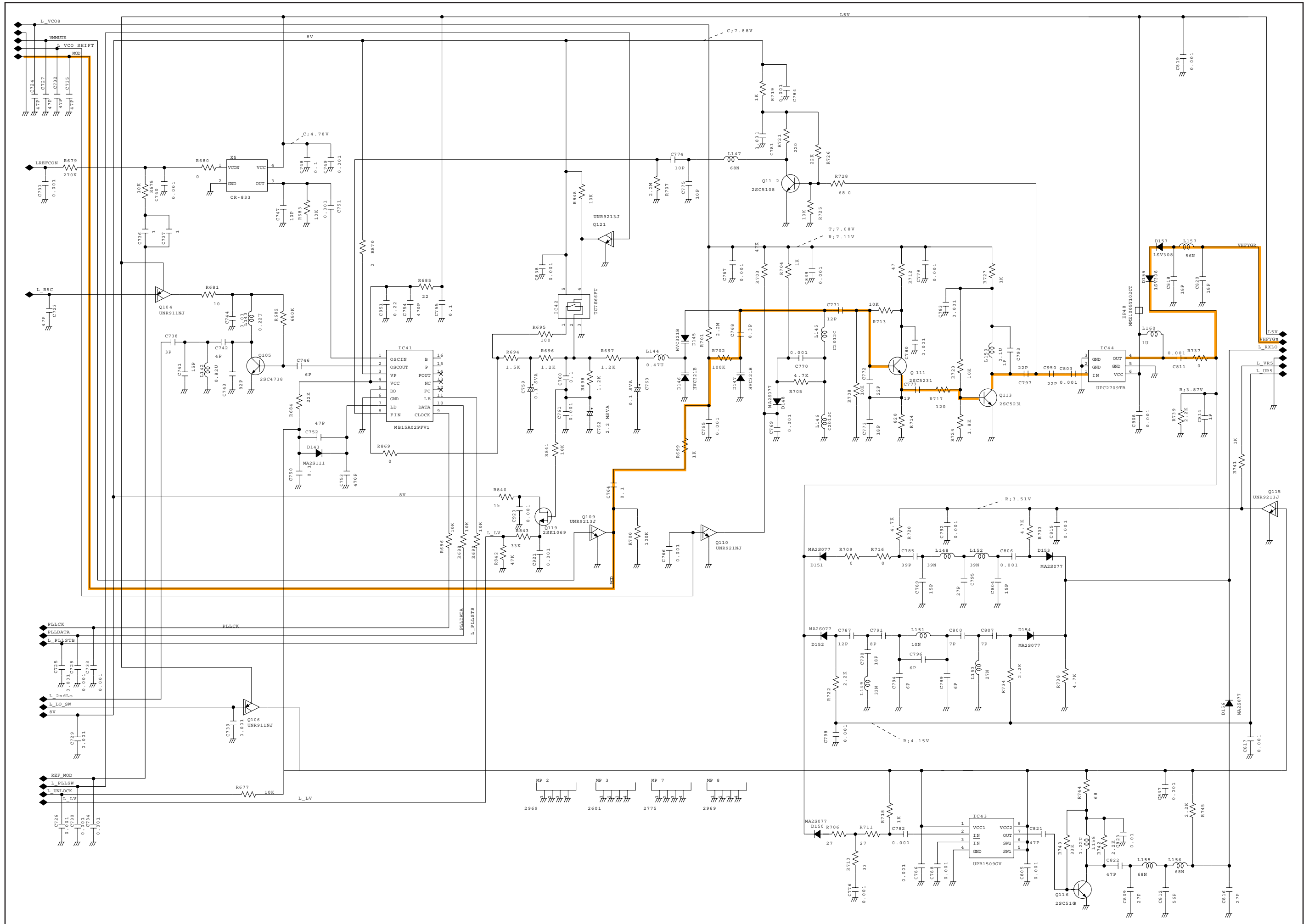


*; Refer to "PARTS LIST"

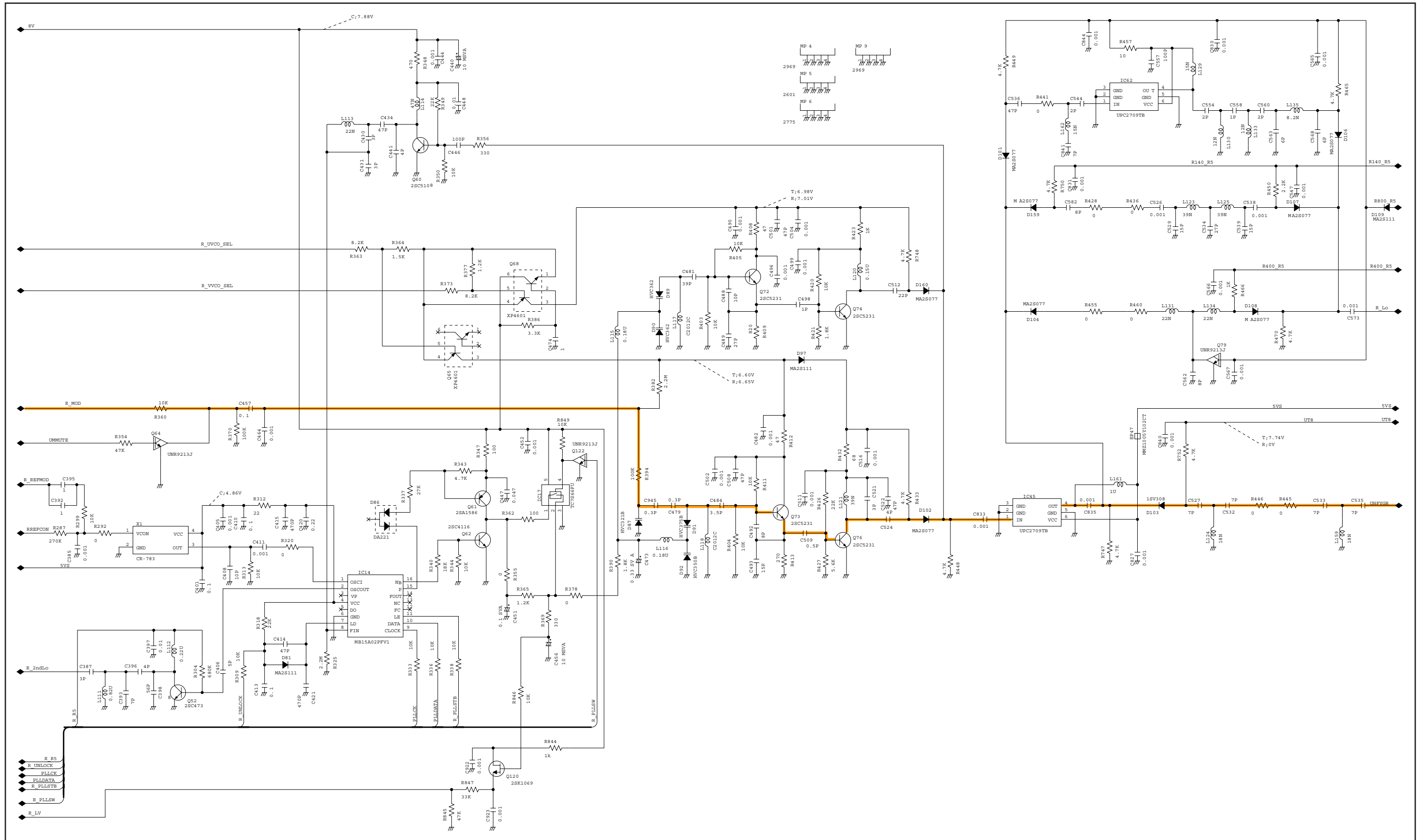


MAIN UNIT (3)





MAIN UNIT (5)



SECTION 11

HM-133

• ELECTRICAL PARTS

[MAIN-A UNIT]

REF NO.	ORDER NO.	DESCRIPTION	M.	H/V LOCATION
IC1	1140011491	S.IC uPD789071MC-041-5A4-E1-A	B	51.1/24.5
IC3	1110006310	S.IC BD5245G-TR	B	67.3/34.8
IC6	1130012030	S.IC BR24L02FV-WE2	B	39.4/30.1
Q1	1530001941	S.TR 2SC2712-BL (TE85L,F)	B	26.1/11
Q2	1590000680	S.TR DTC114EUA T106	B	21.6/34.8
Q3	1590001330	S.TR DTA114EUA T106	B	24.7/34.8
Q4	1510000771	S.TR 2SA1586-GR (TE85R,F)	B	54.7/34.9
Q5	1510000771	S.TR 2SA1586-GR (TE85R,F)	B	54.5/37.5
Q6	1510000771	S.TR 2SA1586-GR (TE85R,F)	B	48.5/5.8
Q7	1510000771	S.TR 2SA1586-GR (TE85R,F)	B	48.5/3.3
Q8	1530001941	S.TR 2SC2712-BL (TE85L,F)	B	19.5/9.9
Q9	1590001010	S.TR DTB113ZK T146	B	22.8/11
D1	1790000950	S.ZEN MA8056-M (TX)	B	23.1/17
D3	1750000940	S.DIO ISS400 TE61	B	64.7/23.2
D4	1750000940	S.DIO ISS400 TE61	B	64.7/29.2
D5	1750000940	S.DIO ISS400 TE61	B	59.6/25.5
D6	1750000940	S.DIO ISS400 TE61	B	58.7/20.8
D7	1750000940	S.DIO ISS400 TE61	B	42.8/16.7
D9	1750000940	S.DIO ISS400 TE61	B	34.1/16.3
D10	1750000940	S.DIO ISS400 TE61	B	34.9/17.8
D11	1750000940	S.DIO ISS400 TE61	B	38.8/14.5
D12	1750000940	S.DIO ISS400 TE61	B	57.2/29
D16	1730002280	S.ZEN MA8091-M (TX)	B	55.2/14.5
D17	1730002280	S.ZEN MA8091-M (TX)	B	48.8/14.5
D18	1730002280	S.ZEN MA8091-M (TX)	B	12.5/13.9
X1	6060000610	S.CER EFOS4914E3	B	42.6/22.3
L1	6200001520	S.COL MLF2012D R82K-T	B	12/28.9
L2	6200001520	S.COL MLF2012D R82K-T	B	10.7/13.9
R2	7030000400	S.RES MCR10EZJH 1.5 k	B	24.2/8.3
R3	7030000400	S.RES MCR10EZJH 1.5 k	B	41.9/8.3
R4	7030000400	S.RES MCR10EZJH 1.5 k	B	57.3/8.2
R5	7030003400	S.RES ERJ3GEYJ 471 V (470)	B	28.6/11.2
R6	7030003620	S.RES ERJ3GEYJ 333 V (33 k)	B	26.8/34.7
R7	7030003620	S.RES ERJ3GEYJ 333 V (33 k)	B	23.3/36.8
R8	7030003570	S.RES ERJ3GEYJ 123 V (12 k)	B	19.1/33.7
R9	7030003560	S.RES ERJ3GEYJ 103 V (10 k)	B	57.6/35.6
R10	7030003440	S.RES ERJ3GEYJ 102 V (1 k)	B	57.6/34.3
R11	7030003480	S.RES ERJ3GEYJ 222 V (2.2 k)	B	57.6/36.9
R12	7030003560	S.RES ERJ3GEYJ 103 V (10 k)	B	60.4/37.2
R13	7030003560	S.RES ERJ3GEYJ 103 V (10 k)	B	45.7/5.5
R14	7030003420	S.RES ERJ3GEYJ 681 V (680)	B	51.5/5.9
R14	7030003440	S.RES ERJ3GEYJ 102 V (1 k)	B	51.5/5.9
R15	7030003400	S.RES ERJ3GEYJ 471 V (470)	B	51.5/3.3
R15	7030003480	S.RES ERJ3GEYJ 222 V (2.2 k)	B	51.5/3.3
R16	7030003560	S.RES ERJ3GEYJ 103 V (10 k)	B	45.7/4.2
R18	7030003560	S.RES ERJ3GEYJ 103 V (10 k)	B	41.6/33.6
R19	7030003640	S.RES ERJ3GEYJ 473 V (47 k)	B	38.4/34.5
R22	7030003520	S.RES ERJ3GEYJ 472 V (4.7 k)	B	37.9/18.7
R23	7030003520	S.RES ERJ3GEYJ 472 V (4.7 k)	B	56.1/18.1
R24	7030003520	S.RES ERJ3GEYJ 472 V (4.7 k)	B	58/18.6
R25	7030003520	S.RES ERJ3GEYJ 472 V (4.7 k)	B	59.8/18.9
R27	7030003560	S.RES ERJ3GEYJ 103 V (10 k)	B	68.1/32.5
R35	7030000400	S.RES MCR10EZJH 1.5 k	B	69.1/11.9
R36	7030003560	S.RES ERJ3GEYJ 103 V (10 k)	B	20.5/30.6
R37	7030003460	S.RES ERJ3GEYJ 152 V (1.5 k)	B	19.1/30.6
R38	7030003720	S.RES ERJ3GEYJ 224 V (220 k)	B	17.5/7.7
R39	7030003480	S.RES ERJ3GEYJ 222 V (2.2 k)	B	24.4/5.7
R40	7030003480	S.RES ERJ3GEYJ 222 V (2.2 k)	B	24.4/3
R41	7030003560	S.RES ERJ3GEYJ 103 V (10 k)	B	17/32.7
R42	7030003860	S.RES ERJ3GE JPW V	B	68.4/21.6
R43	7030003440	S.RES ERJ3GEYJ 102 V (1 k)	B	57.4/27.5
R44	7030003440	S.RES ERJ3GEYJ 102 V (1 k)	B	57.3/22.1
R45	7030003440	S.RES ERJ3GEYJ 102 V (1 k)	B	53.9/18
R46	7030003440	S.RES ERJ3GEYJ 102 V (1 k)	B	37.8/15.8
R47	7030003440	S.RES ERJ3GEYJ 102 V (1 k)	B	37.6/17.1
R48	7030003440	S.RES ERJ3GEYJ 102 V (1 k)	B	45.3/17.6
R49	7030003440	S.RES ERJ3GEYJ 102 V (1 k)	B	57.3/26.2
R50	7030003440	S.RES ERJ3GEYJ 102 V (1 k)	B	58.1/23.4
R51	7030003440	S.RES ERJ3GEYJ 102 V (1 k)	B	57.4/24.7
C1	4030006850	S.CER C1608 JB 1H 471K-T	B	52/16.9
C2	4510008500	S.ELE EEE1CA101WP	B	35.5/5.8
C5	4030007050	S.CER C1608 CH 1H 220J-T	B	14.9/30.4
C9	4030007050	S.CER C1608 CH 1H 220J-T	B	16.3/16.9
C10	4030007050	S.CER C1608 CH 1H 220J-T	B	15.6/15.5
C11	4030007050	S.CER C1608 CH 1H 220J-T	B	15.6/7.2
C12	4030006860	S.CER C1608 JB 1H 102K-T	B	64.9/34.4
C13	4030006860	S.CER C1608 JB 1H 102K-T	B	44.3/27.6
C14	4030006900	S.CER C1608 JB 1H 103K-T	B	67.5/37.2
C15	4030006860	S.CER C1608 JB 1H 102K-T	B	41.9/29.7
C16	4030006860	S.CER C1608 JB 1H 102K-T	B	14.1/13.6
C17	4030006860	S.CER C1608 JB 1H 102K-T	B	11.7/17.4
C18	4030006860	S.CER C1608 JB 1H 102K-T	B	10.4/17.4
C19	4030006860	S.CER C1608 JB 1H 102K-T	B	13/25.8
C21	4030006860	S.CER C1608 JB 1H 102K-T	B	11.7/25.8

[MAIN UNIT]

REF NO.	ORDER NO.	DESCRIPTION	M.	H/V LOCATION
C22	4030006860	S.CER C1608 JB 1H 102K-T	B	10.4/28.5
C23	4030006860	S.CER C1608 JB 1H 102K-T	B	23.1/14
C24	4030006860	S.CER C1608 JB 1H 102K-T	B	67.2/12.1
C25	4030006860	S.CER C1608 JB 1H 102K-T	B	25.6/32.2
C26	4030006860	S.CER C1608 JB 1H 102K-T	B	53/4.6
C27	4030006860	S.CER C1608 JB 1H 102K-T	B	60.9/35.9
C29	4510008540	S.ELE EEE1CA100SR	B	26.4/16
C30	4030011600	S.CER C1608 JB 1E 104K-T	B	23/3
C31	4510008540	S.ELE EEE1CA100SR	B	28.3/4.9
J1	6510023110	CNR 3008L-8P8C <KIN>		
DS1	5010000120	S.LED LN1371G-(TR)	T	21.9/11
DS2	5010000120	S.LED LN1371G-(TR)	T	21.9/32
DS3	5010000120	S.LED LN1371G-(TR)	T	39.3/11
DS4	5010000120	S.LED LN1371G-(TR)	T	39.3/32
DS5	5010000120	S.LED LN1371G-(TR)	T	55.9/2.5
DS6	5010000120	S.LED LN1371G-(TR)	T	56.2/26.8
DS7	5010000120	S.LED LN1371G-(TR)	T	71.7/14.8
DS8	5010000120	S.LED LN1371G-(TR)	T	72.2/33.8
DS10	5010000150	S.LED LT1EP53A	T	51.6/5
DS10	5040003160	S.LED BRPY1211C-TR	T	51.6/5
DS11	5010000150	S.LED LT1EP53A	T	51.6/38
DS11	5040003160	S.LED BRPY1211C-TR	T	51.6/38
MC1	7700002310	MIC EM-140		
S1	2260000980	SW SKHHLPO14A		
EP1	6910012350	S.BEA MMZ1608Y 102BT	B	10.4/25.8
EP2	6910012350	S.BEA MMZ1608Y 102BT	B	14.3/17.4
EP3	6910012350	S.BEA MMZ1608Y 102BT	B	13/17.4
EP4	6910012350	S.BEA MMZ1608Y 102BT	B	14.5/11

M.=Mounted side (T: Mounted on the Top side, B: Mounted on the Bottom side)
S.=Surface mount

• MECHANICAL PARTS

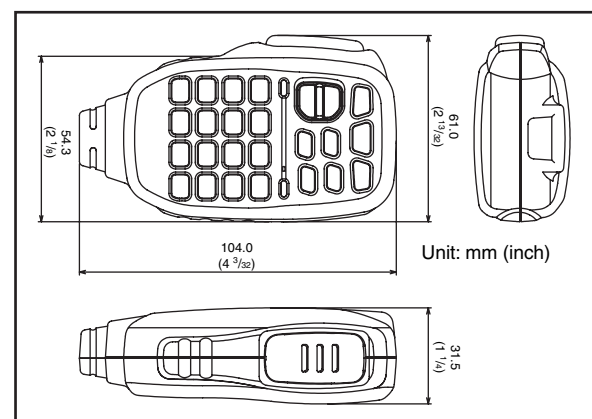
[CHASSIS PARTS]

REF NO.	ORDER NO.	DESCRIPTION	QTY.
W1	8900011271	OPC-1153A	1
MP1	8210018830	2539 FRONT PANEL	1
MP2	8210018840	2539 REAR PANEL	1
MP3	8930057380	2539 PTT BUTTON	1
MP4	8930057390	2539 LED LENS	2
MP5	8930057570	2539 SW RUBBER	1
MP6	8930057520	2539 KEYBOARD	1
MP8	8810009371	Screw BT B0 3X12NI-ZK3 (BT)	2
MP9	8810009561	Screw BT B0 2X6 NI-ZK3 (BT)	3

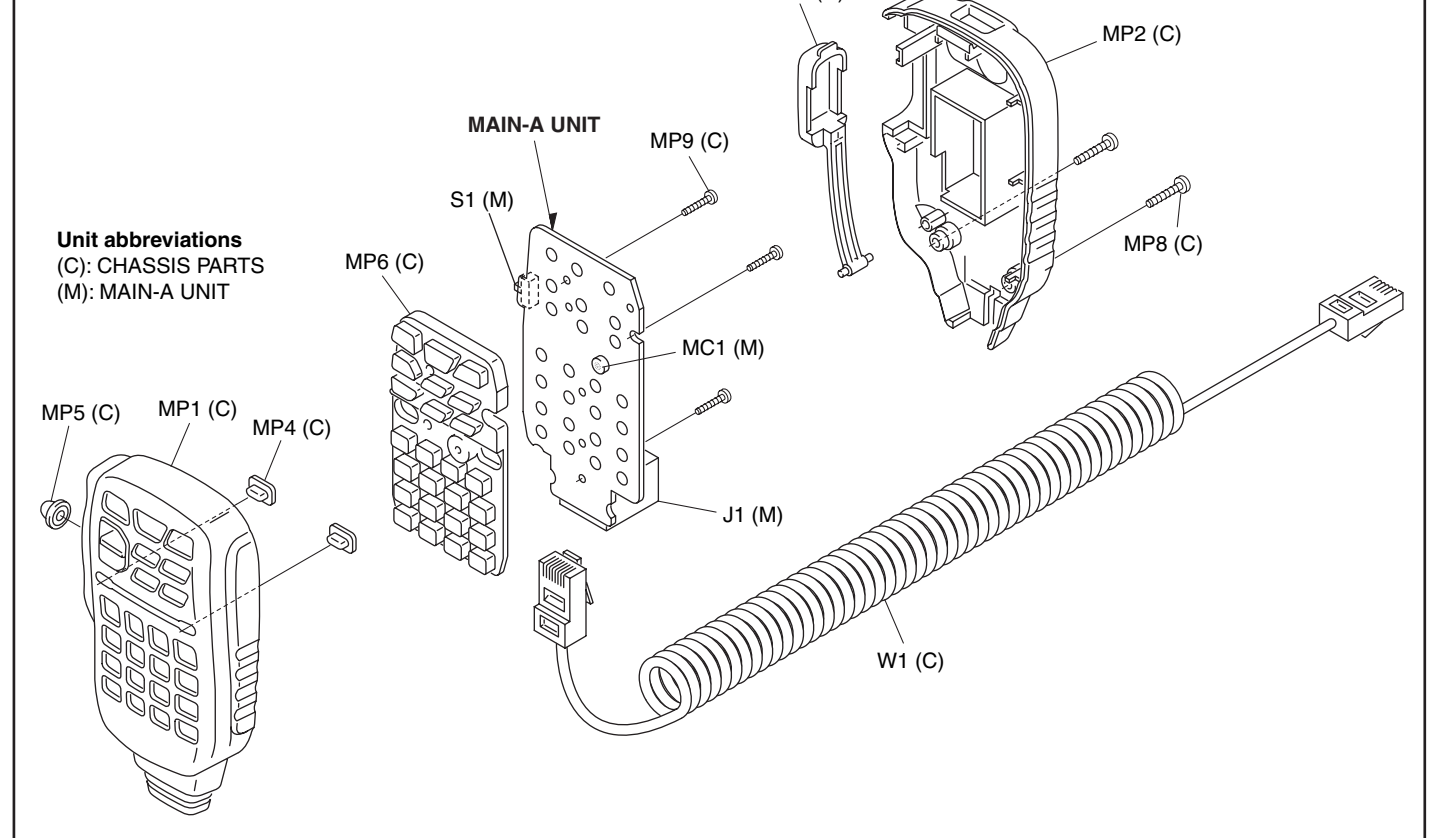
[MAIN-A UNIT]

REF NO.	ORDER NO.	DESCRIPTION	QTY.
J1	6510023110	3008L-8P8C	1
MC1	7700002310	EM-140	1
S1	2260000980	SKHHLPO14A	1

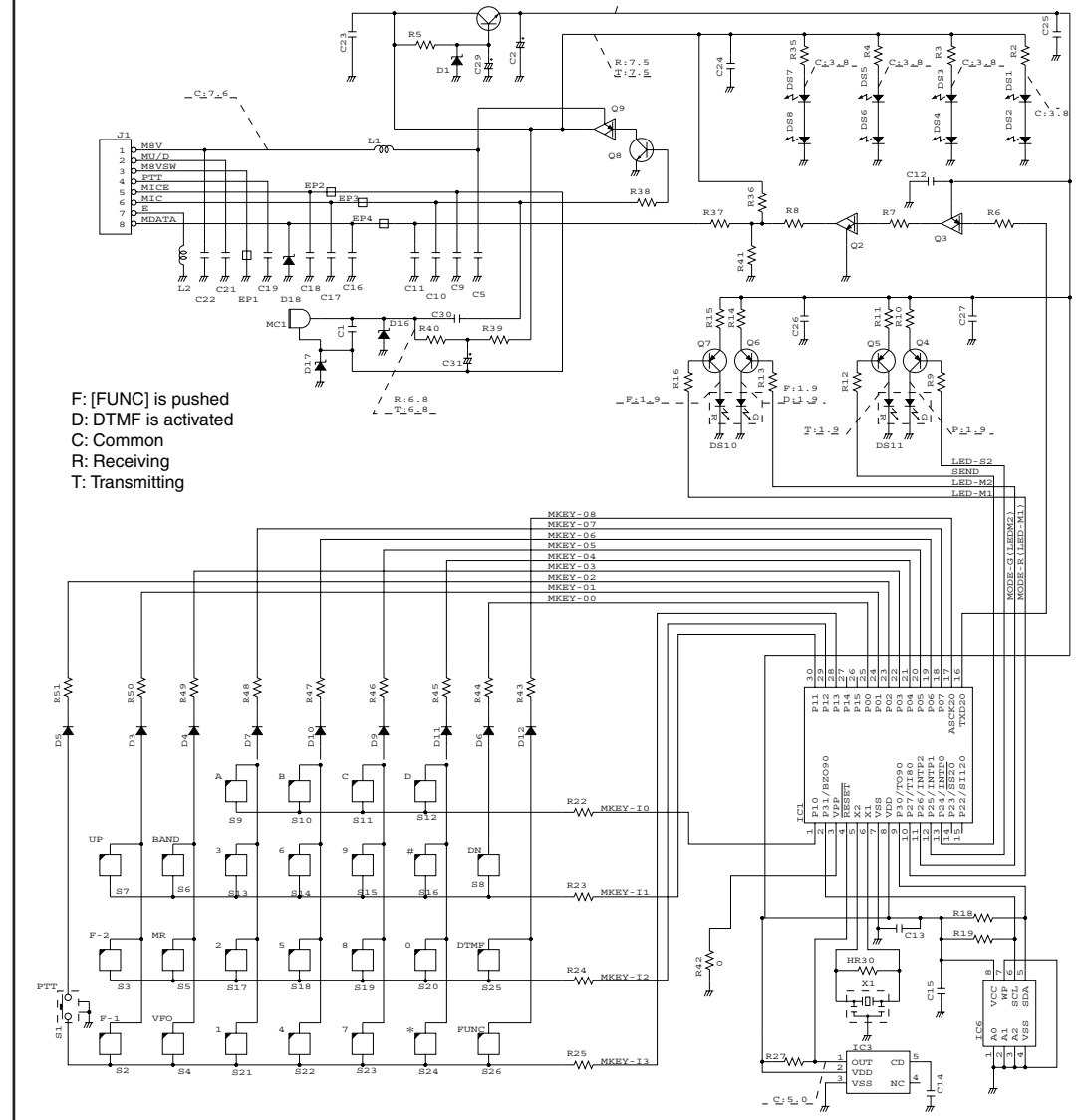
• DIMENSIONS



• EXPLODED VIEW

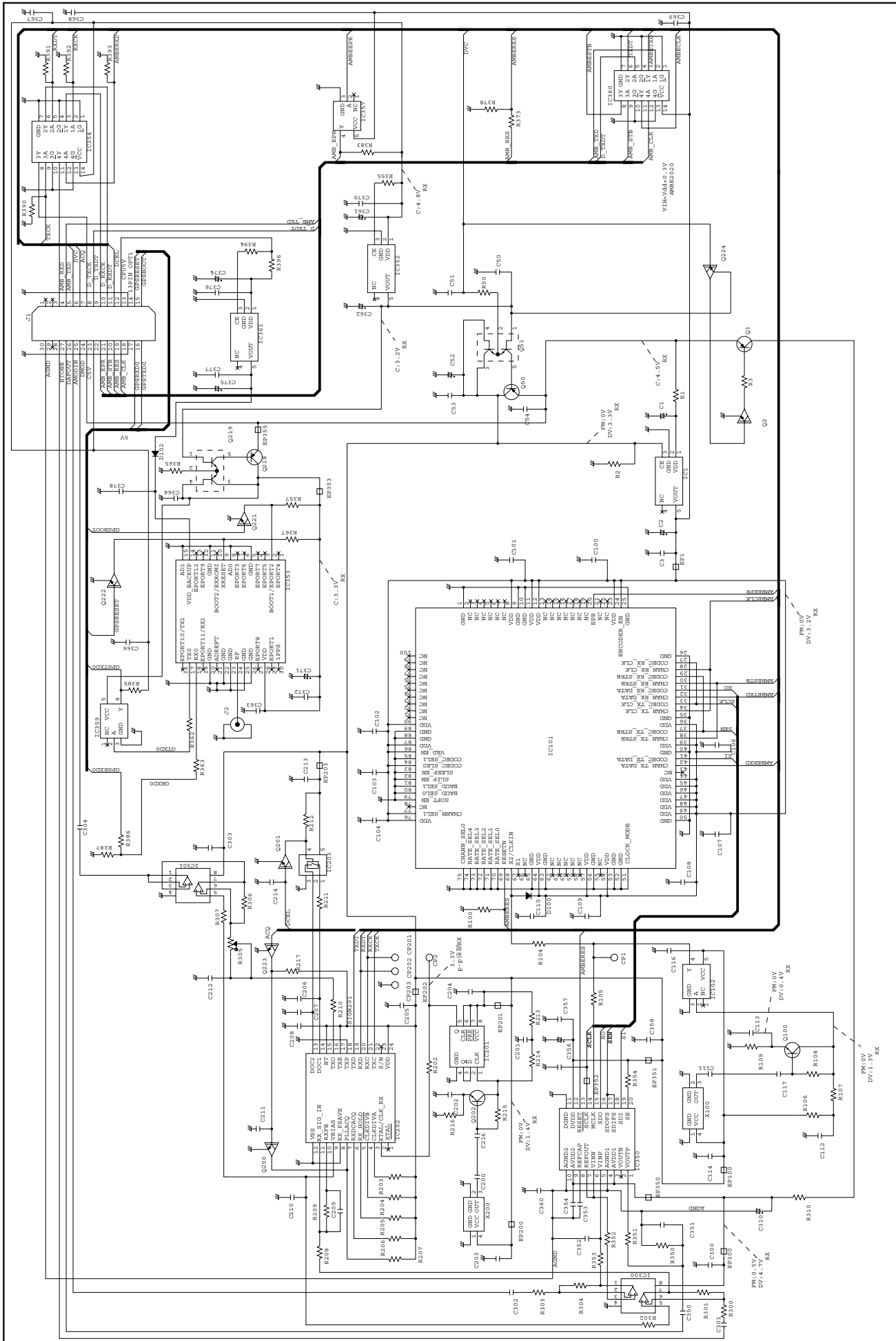


• VOLTAGE DIAGRAM



SECTION 12 UT-123 (Optional product)

VOLTAGE DIAGRAM



PARTS LIST

[MAIN UNIT]

REF NO.	ORDER NO.	DESCRIPTION	M.	H/V LOCATION
IC1	1180002371	S.REG R1111N321B-TR-F	T	13/6.8
IC101	1130010920	S.IC AMBE-2020	B	9.8/9.5
IC102	1130011930	S.IC SN74LVC1G04DCKR	T	4.7/5.1
IC201	1130013440	S.IC SN74LVC2G74DCTR	T	30.3/12.3
IC202	1110005430	S.IC CMX589AD5	B	37/7.5
IC203	1130007021	S.IC TC7S66FU (TE85L,F)	T	39.6/5.2
IC300	1110005290	S.IC NJM2115V-TE1-#ZZZB	T	28.6/6.3
IC301	1130006921	S.IC TA75W01FU (TE12L,F)	T	35.7/9.1
IC350	1130011631	S.IC AD73311ARSZ	B	24.3/6.4
IC352	1180002371	S.REG R1111N321B-TR-F	B	12.9/26.7
IC353	1190002470	S.IC ITRAX130 -MRF-	B	52.2/36.7
IC354	1130013640	S.IC TC74VHCT125AFK (E,K)	T	2.5/27.2
IC357	1130013570	S.IC SN74LVC1G07DCK	T	18.4/22.7
IC359	1130013570	S.IC SN74LVC1G07DCK	T	18.9/18.2
IC360	1130013650	S.IC TC74VHC125FK (EL,K)	T	17.8/28.8
IC361	1180002371	S.REG R1111N321B-TR-F	T	23.8/20.7
Q1	1510000581	S.TR 2SA1362-GR (TE85R,F)	T	12/15.7
Q2	1590003390	S.TR UNR9215J-(TX)	T	8.4/13.2
Q50	1510000581	S.TR 2SA1362-GR (TE85R,F)	B	3.3/30.7
Q51	1590001170	S.TR XP1501-(TX) .AB	B	7.8/30.1
Q100	1530002280	S.TR 2SC4081 T106 S	T	2.2/7.3
Q200	1590003390	S.TR UNR9215J-(TX)	T	39/11.8
Q201	1590003390	S.TR UNR9215J-(TX)	T	35.5/3.9
Q202	1530002280	S.TR 2SC4081 T106 S	T	26.2/12.8
Q218	1520000561	S.TR 2SB1123 T-TD-E	B	8.6/22.5
Q219	1590001170	S.TR XP1501-(TX) .AB	B	8.1/26.4
Q221	1590003390	S.TR UNR9215J-(TX)	T	6/14.4
Q222	1590003390	S.TR UNR9215J-(TX)	T	5.9/17.4
Q223	1590003390	S.TR UNR9215J-(TX)	T	40.9/10.8
Q224	1590003250	S.TR UNR9115J-(TX)	B	5.2/24.5
D100	1790001240	S.DIO MA2S728-(TX)	T	8.1/2.1
D102	1790001240	S.DIO MA2S728-(TX)	T	27.9/20.1
X100	6050012290	S.SXLT CR-820 (16.384 MHz)	T	7.9/8.4
X200	6050012300	S.XTL CR-821 (9.8304 MHz)	T	21.5/11.8
R1	7030000180	S.RES MCR10EZJH 22 (220)	T	10.3/12.5
R2	7030005240	S.RES ERJ2GEJ 473 X (47 k)	T	10/5.3
R3	7030005050	S.RES ERJ2GEJ 103 X (10 k)	T	9.9/15.7
R50	7030005040	S.RES ERJ2GEJ 472 X (4.7 k)	B	7.3/28.3
R100	7030005240	S.RES ERJ2GEJ 473 X (47 k)	T	6.3/2.2
R104	7030005120	S.RES ERJ2GEJ 102 X (1 k)	T	7/4.1
R105	7030007280	S.RES ERJ2GEJ 331 X (330)	T	17.1/6.5
R106	7030004980	S.RES ERJ2GEJ 101 X (100)	T	2.6/3.5
R107	7030005120	S.RES ERJ2GEJ 102 X (1 k)	T	2.6/5.1
R108	7030005090	S.RES ERJ2GEJ 104 X (100 k)	T	4/7.7
R109	7030004990	S.RES ERJ2GEJ 221 X (220)	T	1.7/10.3
R202	7030010040	S.RES ERJ2GEJ-JPW	T	32.8/13.6
R203	7030005240	S.RES ERJ2GEJ 473 X (47 k)	B	34.7/12.8
R204	7030005240	S.RES ERJ2GEJ 473 X (47 k)	B	35.6/13
R205	7030005240	S.RES ERJ2GEJ 473 X (47 k)	B	36.5/13.3
R206	7030005240	S.RES ERJ2GEJ 473 X (47 k)	B	37.4/13.8
R207	7030005240	S.RES ERJ2GEJ 473 X (47 k)	T	39.3/13.3
R208	7030005090	S.RES ERJ2GEJ 104 X (100 k)	B	41.1/13.9
R209	7030005090	S.RES ERJ2GEJ 104 X (100 k)	B	39.9/13.6
R210	7030005220	S.RES ERJ2GEJ 223 X (22 k)	B	31.5/4.1
R211	7030006610	S.RES ERJ2GEJ 394 X (390 k)	T	38.7/3.3
R212	7030005240	S.RES ERJ2GEJ 473 X (47 k)	T	40.1/7.6
R213	7030004980	S.RES ERJ2GEJ 101 X (100)	T	28.1/12.7
R214	7030005120	S.RES ERJ2GEJ 102 X (1 k)	T	27.8/11.1
R215	7030005090	S.RES ERJ2GEJ 104 X (100 k)	T	26.3/14.6
R216	7030004990	S.RES ERJ2GEJ 221 X (220)	T	25.6/10.8
R217	7030005050	S.RES ERJ2GEJ 103 X (10 k)	T	39.3/14.2
R300	7030005090	S.RES ERJ2GEJ 104 X (100 k)	T	22.4/5.9
R301	7030005310	S.RES ERJ2GEJ 124 X (120 k)	T	23.9/6.4
R302	7030005090	S.RES ERJ2GEJ 104 X (100 k)	T	23.9/7.6
R303	7030005240	S.RES ERJ2GEJ 473 X (47 k)	T	29.5/2.9
R304	7030005090	S.RES ERJ2GEJ 104 X (100 k)	T	30.3/3.8
R305	7310004610	S.TRI EVM-2WSX80 B15 (104)	B	31.3/6.7
R306	7030005060	S.RES ERJ2GEJ 333 X (33 k)	T	35.7/5.8
R307	7030005090	S.RES ERJ2GEJ 104 X (100 k)	T	33.6/6.4
R310	7030005330	S.RES ERJ2GEJ 100 X (10)	T	22.9/3
R350	7030005010	S.RES ERJ2GEJ 681 X (680)	T	25.3/8.8
R351	7030008400	S.RES ERJ2GEJ 182 X (1.8 k)	T	27.5/8.8
R352	7030005240	S.RES ERJ2GEJ 473 X (47 k)	T	27.9/3.8
R353	7030004980	S.RES ERJ2GEJ 101 X (100)	B	29.4/5.8
R354	7030005240	S.RES ERJ2GEJ 473 X (47 k)	B	20.6/11.1
R355	7030005220	S.RES ERJ2GEJ 223 X (22 k)	B	15.5/26.3
R357	7030005040	S.RES ERJ2GEJ 472 X (4.7 k)	T	7.5/15.4
R362	7030007280	S.RES ERJ2GEJ 331 X (330)	T	20.2/20.4
R363	7030007280	S.RES ERJ2GEJ 331 X (330)	T	21.5/18.1
R365	7030005000	S.RES ERJ2GEJ 471 X (470)	B	10.4/27.3
R367	7030005040	S.RES ERJ2GEJ 472 X (4.7 k)	T	7.5/17
R373	7030005050	S.RES ERJ2GEJ 103 X (10 k)	T	16.1/24.1
R378	7030008290	S.RES ERJ2GEJ 183 X (18 k)	T	19/24.9
R383	7030005050	S.RES ERJ2GEJ 103 X (10 k)	T	17.5/24.8
R385	7030005050	S.RES ERJ2GEJ 103 X (10 k)	T	17.1/18.3
R386	7030005050	S.RES ERJ2GEJ 103 X (10 k)	T	16.1/20.8
R387	7030008290	S.RES ERJ2GEJ 183 X (18 k)	T	18/20.1
R390	7030005160	S.RES ERJ2GEJ 105 X (1 M)	T	4.1/30.6
R391	7030005160	S.RES ERJ2GEJ 105 X (1 M)	T	4.4/23.8
R392	7030005160	S.RES ERJ2GEJ 105 X (1 M)	T	1.6/22.4
R393	7030005160	S.RES ERJ2GEJ 105 X (1 M)	T	3/32
R394	7030005220	S.RES ERJ2GEJ 223 X (22 k)	T	22.9/23.7
R396	7030004980	S.RES ERJ2GEJ 101 X (100)	T	24.6/22.8
C1	4550007680	S.TAN TEESVP 0J 226M8R	T	11.9/9.7
C2	4550007600	S.TAN F920J106MPABMA	T	12.7/11.4
C3	4030016930	S.CER ECJ0EB1A104K	T	13.4/12.8
C50	4030017460	S.CER ECJ0EB1E102K	B	13.1/29

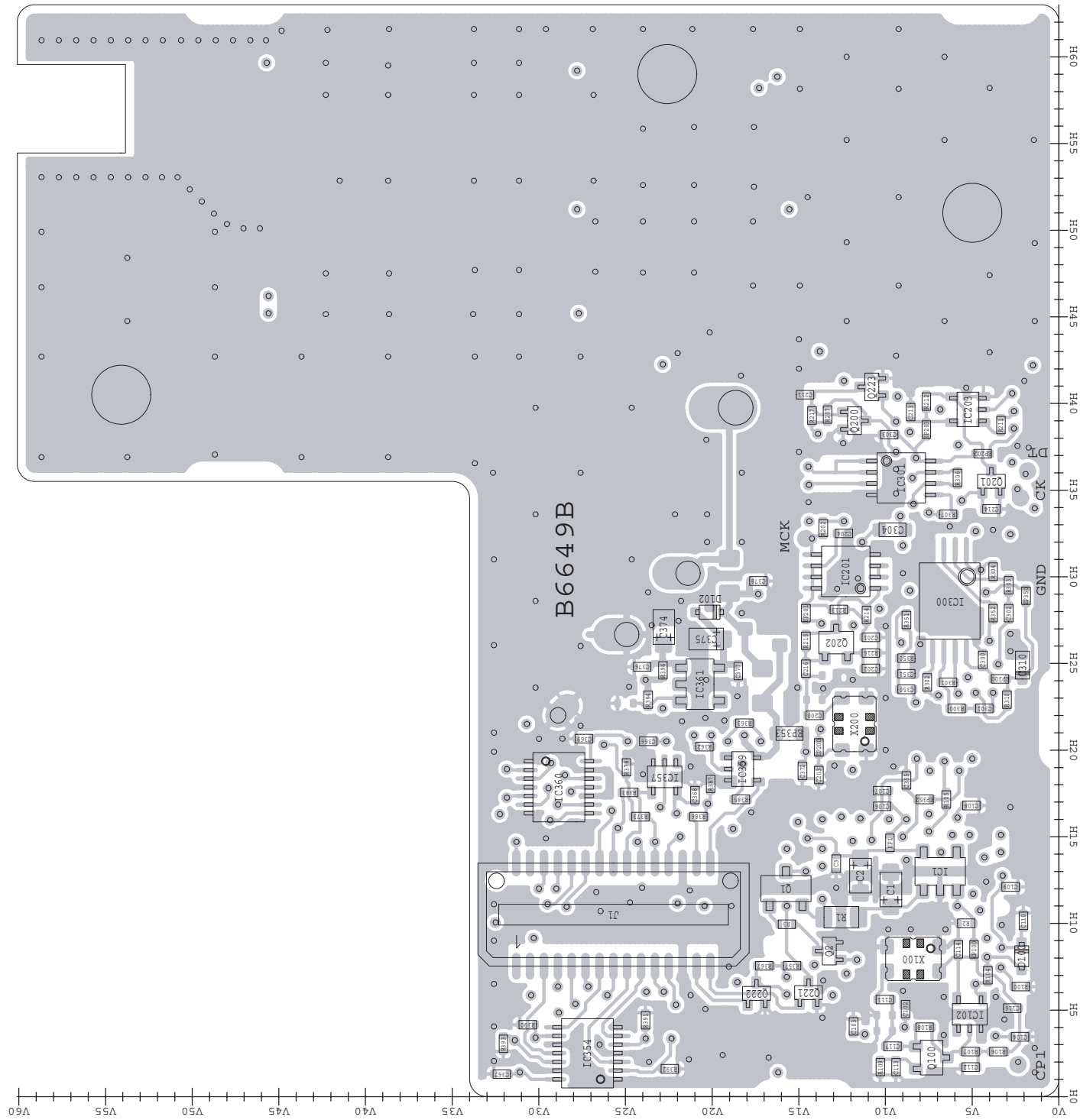
[MAIN UNIT]

REF NO.	ORDER NO.	DESCRIPTION	M.	H/V LOCATION
C51	4030017460	S.CER ECJ0EB1E102K	B	4.2/26.4
C52	4550006930	S.TAN TEESVP 0J 225M8R	B	1.8/27.8
C53	4030017460	S.CER ECJ0EB1E102K	B	3.2/28.3
C54	4030017460	S.CER ECJ0EB1E102K	B	4.3/27.6
C100	4030016930	S.CER ECJ0EB1A104K	B	14.8/19.2
C101	4030016930	S.CER ECJ0EB1A104K	B	5.9/19
C102	4030016930	S.CER ECJ0EB1A104K	T	5/8.8
C103	4030016930	S.CER ECJ0EB1A104K	T	4/11.8
C104	4030016930	S.CER ECJ0EB1A104K	T	3.4/2.2
C106	4030016930	S.CER ECJ0EB1A104K	T	16.7/10.2
C107	4030016930	S.CER ECJ0EB1A104K	T	17.6/10.2
C108	4030016930	S.CER ECJ0EB1A104K	T	16.8/5
C109	4030016930	S.CER ECJ0EB1A104K	T	12.1/8.2
C110	4030017420	S.CER ECJ0EC1H470J	T	10.1/2
C111	4030017460	S.CER ECJ0EB1E102K	T	5.6/10
C112	4030016930	S.CER ECJ0EB1A104K	T	1.7/5.1
C113	4030016930	S.CER ECJ0EB1A104K	T	1.7/9.4
C114	4030016930	S.CER ECJ0EB1A104K	T	8.5/5.8
C116	4030016930	S.CER ECJ0EB1A104K	T	5.1/2.7
C117	4030017460	S.CER ECJ0EB1E102K	T	2.9/9.6
C200	4030017460	S.CER ECJ0EB1E102K	T	22/14.1
C201	4030016930	S.CER ECJ0EB1A104K	T	26.5/10.8
C202	4030016930	S.CER ECJ0EB1A104K	T	24.7/10.8
C203	4030016930	S.CER ECJ0EB1A104K	T	18.5/13.8
C204	4030017460	S.CER ECJ0EB1E102K	T	32.5/12.4
C205	4030016930	S.CER ECJ0EB1A104K	B	38.2/1.5
C206	4030017030	S.CER ECJ0EB1A273K	B	39.1/1.5
C207	4030017030	S.CER ECJ0EB1A273K	B	40/1.5
C208	4030016930	S.CER ECJ0EB1A104K	B	33.1/2.1
C209	4030017400	S.CER ECJ0EC1H220J	B	40.1/12.7
C210	4030018860	S.CER ECJ0EB0J105K	B	38.7/12.8
C211	4030017460	S.CER ECJ0EB1E102K	T	40.5/14.6
C212	4030017760	S.CER ECJ0EB1H222K	B	31.1/2.9
C213	4030016930	S.CER ECJ0EB1A104K	T	39.5/8.5
C214	4030017460	S.CER ECJ0EB1E102K	T	33.9/3.9
C216	4030017460	S.CER ECJ0EB1E102K	T	24.7/14.6
C300	4030016930	S.CER ECJ0EB1A104K	T	25.2/4.4
C301	4030018860	S.CER ECJ0EB0J105K	T	22.4/4.3
C302	4030016930	S.CER ECJ0EB1A104K	T	27.9/2.9
C303	4030016930	S.CER ECJ0EB1A104K	T	38.2/9.8
C304	4030017490	S.CER C1608 JB 1A 105K-T	T	32.7/9.6
C310	4550007730	S.TAN TEESVP 0J 106M8R	T	24.9/2.1
C350	4030016930	S.CER ECJ0EB1A104K	T	23.5/8.8
C351	4030016970	S.CER ECJ0EB1C223K	T	24.4/8.8
C352	4030016950	S.CER ECJ0EB1A473K	B	29.4/7.4
C353	4030016930	S.CER ECJ0EB1A104K	B	30.2/3.1
C354	4030016930	S.CER ECJ0EB1A104K	B	29.3/3.1
C355	4030017420	S.CER ECJ0EC1H470J	T	18.2/8.8
C356	4550006930	S.TAN TEESVP 0J 225M8R	B	23.9/11.1
C357	4030016930	S.CER ECJ0EB1A104K	B	22/12.8
C358	4030016930	S.CER ECJ0EB1A104K	B	20.6/12
C360	4030017460	S.CER ECJ0EB1E102K	B	27.8/2.2
C361	4550007090	S.TAN TEESVA 1A 226M8R	B	15.8/29.3
C362	4550007600	S.TAN F920J106MPABMA	B	10.1/30.3
C363	4030016970	S.CER ECJ0EB1C103K	B	59.8/46.7
C364	4030016970	S.CER ECJ0EB1C103K	B	10.4/25.6
C366	4030016970	S.CER ECJ0EB1C103K	T	20.5/23.7
C367	4030016970	S.CER ECJ0EB1C103K	T	1.3/32.1
C368	4030016970	S.CER ECJ0EB1C103K	T	17.4/21
C369	4030016970	S.CER ECJ0EB1C103K	T	20.6/27.4
C370	4030016970	S.CER ECJ0EB1C103K	B	13.7/30
C371	4550006930	S.TAN TEESVP 0J 225M8R	B	56.9/16.2
C372	4030016970	S.CER ECJ0EB1C103K	T	18.8/14.8
C374	4550007600	S.TAN F920J106MPABMA	T	27.1/22.8
C375	4550007600	S.TAN F920J106MPABMA	T	26.4/20.3
C376	4030016970	S.CER ECJ0EB1C103K	T	24.8/24
C377	4030016970	S.CER ECJ0EB1C103K	T	24.5/18.5
C378	4030017460	S.CER ECJ0EB1E102K	T	29.7/17.3
J1	6510018440	S.CNR AXN430C330P	T	10.5/25.7
J1	6510025790	S.CNR AXN430C030S	T	10.5/25.7
EP1	6910018460	S.BEA MMZ1005Y102C-T	T	14.6/9.7
EP100	6910018460	S.BEA MMZ1005Y102C-T	T	8.5/4.9
EP200	6910018460	S.BEA MMZ1005Y102C-T	T	20.1/13.8
EP201	6910018460	S.BEA MMZ1005Y102C-T	T	27.9/14.6
EP202	6910018460	S.BEA MMZ1005Y102C-T	T	37.1/4.4
EP203	6910018460	S.BEA MMZ1005Y102C-T	T	38.5/7.6
EP300	6910018460	S.BEA MMZ1005Y102C-T	T	24.1/3.4
EP350	6910018460	S.BEA MMZ1005Y102C-T	T	28.9/1.9
EP351	6910018460	S.BEA MMZ1005Y102C-T	B	21.8/11.6
EP352	6910018460	S.BEA MMZ1005Y102C-T	T	17.1/7.7
EP353	6910014690	S.BEA MPZ1608S221A-T	T	20.9/15.5
EP355	6910014690	S.BEA MPZ1608S221A-T	B	12.5/23

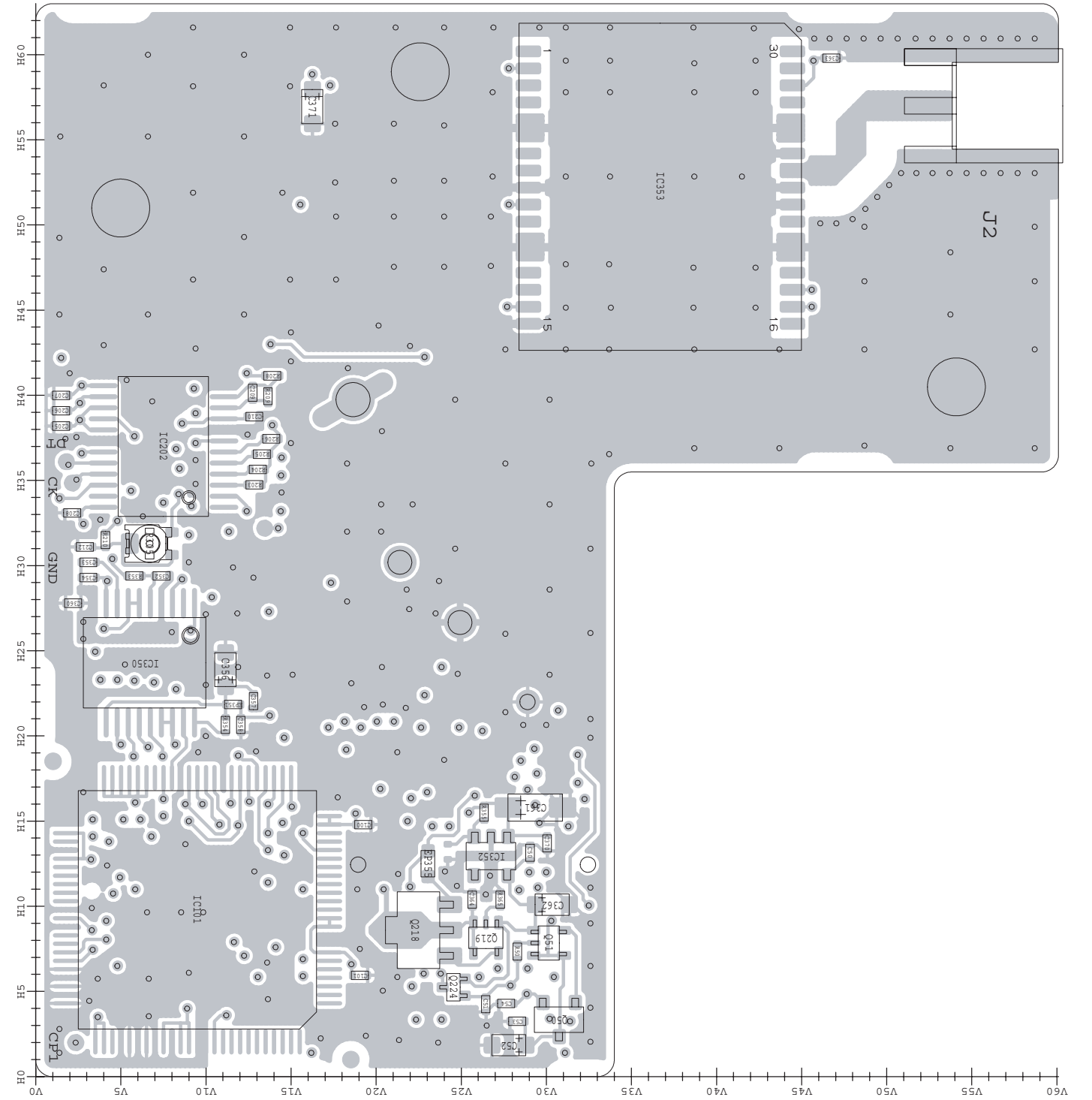
M.=Mounted side (T: Mounted on the Top side, B: Mounted on the Bottom side)
S.=Surface mount

• BOARD LAYOUTS

• MAIN UNIT (TOP VIEW)



• MAIN UNIT (BOTTOM VIEW)



Icom Inc.

1-1-32, Kamiminami, Hirano-ku, Osaka 547-0003, Japan
Phone : +81 (06) 6793 5302
Fax : +81 (06) 6793 0013
URL : <http://www.icom.co.jp/world/index.html>

Icom America Inc.

<Corporate Headquarters>
2380 116th Avenue N.E., Bellevue, WA 98004, U.S.A.
Phone : +1 (425) 454-8155 Fax : +1 (425) 454-1509
URL : <http://www.icomamerica.com>
E-mail : sales@icomamerica.com
<Customer Service>
Phone : +1 (425) 454-7619

Icom Canada

Glenwood Centre #150-6165
Highway 17 Delta, B.C., V4K 5B8, Canada
Phone : +1 (604) 952-4266 Fax : +1 (604) 952-0090
URL : <http://www.icomcanada.com>
E-mail : info@icomcanada.com

Icom (Australia) Pty. Ltd.

Unit 1 / 103 Garden Road, Clayton VIC 3168 Australia
Phone : +61 (03) 9549-7500 Fax : +61 (03) 9549-7505
URL : <http://www.icom.net.au>
E-mail : sales@icom.net.au

Icom New Zealand

146A Harris Road, East Tamaki,
Auckland, New Zealand
Phone : +64 (09) 274 4062 Fax : +64 (09) 274 4708
URL : <http://www.icom.co.nz>
E-mail : inquiries@icom.co.nz

Beijing Icom Ltd.

Room C01, 10th Floor, Long Silver Mansion, No. 88,
Yong Ding Road, Haidian District, Beijing, 100039, China
Phone : +86 (010) 5889 4250 Fax : +86 (010) 5889 4250
URL : <http://www.bjicom.com>
E-mail : bjicom@bjicom.com

Icom (Europe) GmbH

Communication Equipment
Himmelgeister Str. 100, D-40225 Düsseldorf, Germany
Phone : +49 (0211) 346047 Fax : +49 (0211) 333639
URL : <http://www.icomeurope.com>
E-mail : info@icomeurope.com

Icom Spain S.L

Ctra. Rubi, 88, 08190, Sant Cugat del Valles, Barcelona, SPAIN
Phone : +34 (93) 590 26 70 Fax : +34 (93) 589 04 46
URL : <http://www.icomspain.com>
E-mail : icom@icomspain.com

Icom (UK) Ltd.

Unit 9, Sea St., Herne Bay, Kent, CT6 8LD, U.K.
Phone : +44 (01227) 741741 Fax : +44 (01227) 741742
URL : <http://www.icomuk.co.uk>
E-mail : info@icomuk.co.uk

Icom France s.a.s.

Zac de la Plaine
1 Rue Brindejonec des Moulinais BP 5804
31505 Toulouse Cedex, France
Phone : +33 (5) 61 36 03 03 Fax : +33 (5) 61 36 03 00
URL : <http://www.icom-france.com>
E-mail : icom@icom-france.com

Asia Icom Inc.

6F No.68, Sec. 1 Cheng-Teh Road, Taipei, Taiwan, R.O.C.
Phone : +886 (02) 2559 1899 Fax : +886 (02) 2559 1874
URL : <http://www.asia-icom.com>
E-mail : sales@asia-icom.com

Icom Polska

Sopot, 3 Maja 54 Poland
Phone : +48 (58) 550 7135 Fax : +48 (58) 551 0484
E-mail : icompolaska@icompolaska.com.pl

Count on us!

**Downloaded by
RadioAmateur.EU**

Icom Inc.

1-1-32, Kamiminami, Hirano-ku, Osaka 547-0003, Japan

S-14310XZ-C1
© 2007 Icom Inc.